



B SERIES

A SIZE *for* EVERYONE.

GRILL HEADS

We designed this grill to maximize your cooking experience. Every Broilmaster Stainless Grill comes fully loaded with a variety of standard features, offering both convenience and versatility. With the ability to roast, sear, smoke, grill, or bake, and numerous features for convenience, the Broilmaster Stainless Grill is the only grill you'll ever need.



40-IN (FIVE BURNER) - 70,000 BTUs

UP TO 853 SQ. IN. COOKING AREA

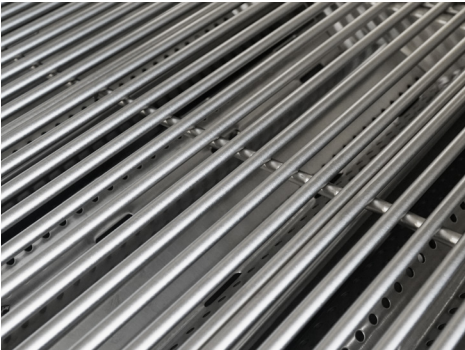


32-IN (FOUR BURNER) - 56,000 BTUs

UP TO 690 SQ. IN. COOKING AREA

STANDARD FEATURES

- 304 Stainless Steel
- Heavy-Duty Cooking Grids
- Flame Thrower Ignition
- Double Lined Lid
- Flare Control Vaporizer
- Control Knob Lights
- Warming Rack
- Heat Zone Dividers
- Drip Tray
- Interior Cooking Lights
- Cast Stainless Steel Burner (14,000 BTUs)
- Rotisserie Infrared Burner (40" - 15,000 BTUs)
(32" - 14,000 BTUs)



Bring your **KITCHEN** outside.

BUILT-IN STORAGE ACCESSORIES

Customize your storage with doors and drawers, available in multiple sizes and configurations to suit your needs. The soft close feature prevents hard closures, keeping contents in place and extending the life of the components. Accessories are made with high-quality 304 stainless steel.



DOUBLE DRAWER (20-IN)



TRIPLE DRAWER (18-IN)



SINGLE ACCESS DOOR (17-IN, 24-IN)



DOUBLE ACCESS DOOR (26-IN, 34-IN, 42-IN)



SINGLE DOOR DOUBLE DRAWER (34-IN)



SINGLE DOOR TRIPLE DRAWER (42-IN)

BUILT-IN COOKING & CONVENIENCE ACCESSORIES

Maximize your cooking space with a side burner. Choose the single burner, double burner, or power burner. For added convenience, select the roll-out waste drawer or propane tank drawer.



SINGLE BURNER, DROP-IN (12-IN)

12,000 BTUs



DOUBLE BURNER, SLIDE-IN (12-IN)

24,000 BTUs



POWER BURNER, SLIDE-IN (16-IN)

60,000 BTUs



WASTE DRAWER, ROLL-OUT (18-IN)

*Required for installation with combustible materials.



PROPANE TANK DRAWER, SLIDE-OUT (20-IN)



INSULATED SLEEVE* (12-IN, 16-IN, 26-IN, 32-IN, 40-IN)

Put it **WHERE** you **WANT** it.

GRILL CARTS

Move your grill almost anywhere with one of our cart options. These durable 304 stainless steel carts come in two sizes and include two doors for easy storage.

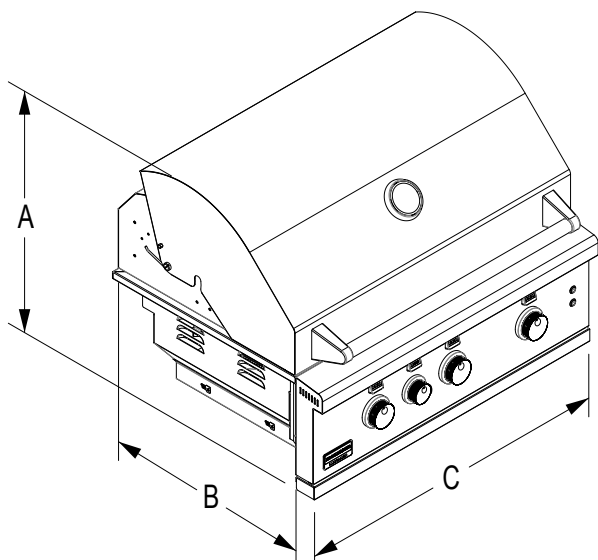


40-IN CART WITH DOORS

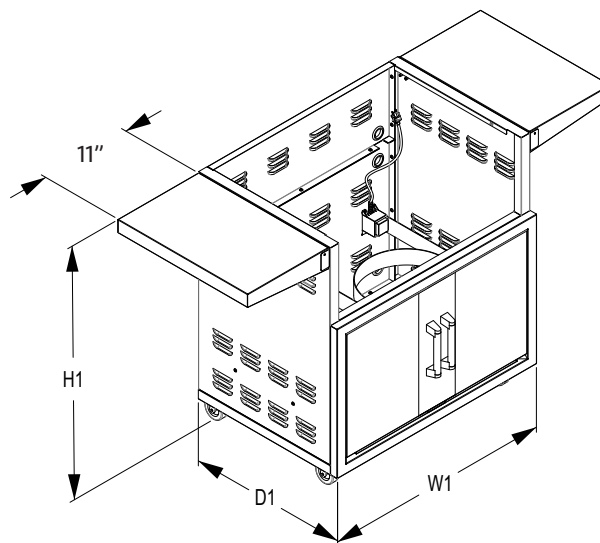


32-IN CART WITH DOORS

DIMENSIONS



GRILL HEAD/BUILT-IN DIMENSIONS (IN INCHES)		
	BSB324N/P	BSB405N/P
A	8 1/2	7 15/16
B	20-1/2	20-1/2
C	31	38



CART DIMENSIONS (IN INCHES)		
	BSACT32	BSACT40
H1	35 3/4	35 3/4
D1	22	22
W1	33 1/2	41 1/2

WARRANTY

LIMITED LIFETIME: Against rust-through on stainless steel grill housing, stainless steel cooking grids, and select stainless steel components including carts, cast stainless steel burners, stainless steel drip tray, side burners, side burner housings, warming racks, built-in sleeves, access doors and drawers, and vent register kits. **LIMITED 5 YEAR:** Against rust-through on flare control vaporizers and heat zone dividers. **1 YEAR:** Against rust-through on valves, knobs, ignitors, labels, hoses, fittings, and all other parts and accessories – including those made from stainless steel.

BROILMASTER

918 Freeburg Avenue • Belleville, Illinois 62220 | 010118 041023