

Across America

WOOD STOVE SERIES

Every
Changing
Industry

Buck Stove continues to be innovative in its' business practices and design. Hand-crafted in the heart of the Blue Ridge Mountains of North Carolina.



BUCKSTOVE.COM

All Stoves



Model 81



Model 91



Model 21NC



Model ZC21



Model 74



Model ZC74



NEW

**Homesteader
Wood Cook Oven**

Bay Series

Model 81



Model 81 Specifications

Heating Capacity	1,600 to 2,700 sq. ft.
BTU/H Output	13,800 - 59,500
Emissions G/H	1.1
Firebox Volume	2.4 cu. ft.
Firewood Length	18" (side to side) 20" (front to back)
Ash Pan	Yes
Blower	Yes
Flue Size	6"
Framing Dimensions	29"W x 233/4"H x 14"D
Pre-Fab Approved	Yes
Mobile Home Approved	Yes
Approximate Weight	460 lbs.
Hearth Pad Size**	33"W x 48" D
Optional Pedestal (FA P4171B) (sold separately)	10"H x 24"W (bottom width)
** Hearth pad size listed is the minimum size required for vertical vented installation.	
Requires outside air kit for mobile home installation.	

CLASSIC & TIMELESS

The Model 81 provides a rich dramatic focal point with a full view of the flames. The Model 81 is an outstanding choice for larger home heating requirements. This unit exceeds expectations in form and function. Standard features include durable non-catalytic technology, factory installed variable speed blower, ash removal tray and a glass door with an air wash system.

The Model 81 is available as a freestanding stove or as an insert for your masonry fireplace with a heating capacity of 1,600 to 2,700 square feet.



Model



AN IMPRESSIVE CENTER PIECE

The Model 91 catalytic is our most popular selling wood stove. Used as a masonry fireplace or freestanding stove this unit accepts 22" logs. The 91 can heat up to 3,200 square feet with an impressive 10,400 - 62,745 BTU's per hour. Features include a factory-installed blower, high-efficiency heat exchange, ash removal tray and an over-sized glass door with an air wash system. Bay windows come in standard black. (gold or pewter bay windows sold separately)

Model 91 Specifications

Heating Capacity	1,800to 3,200 sq. ft.
BTU/H Output	10.400- 62.745
Emissions G/H	1.9
Firebox Volume	4.4 cu. ft.
Firewood Length	22"(front to back), 23"(side to side)
Ash Pan	Yes
Blower	Yes
Flue Size	8"
Framing Dimensions	313/4"W x 231/2"H x 151/2"D
Pre-Fab Approved	No
Mobile Home Approved	No
Approximate Weight	620 lbs.
Hearth Pad Size**	50"W x 54" D
Optional Pedestal (FA P4171B) (sold separately)	8"H
** Hearth padsize listed is the minimum size required for vertical vented installation.	
• Model 91 is available as either a freestanding unit or masonry fireplace insert.	

Traditional Series

Model 74



Model 74 Specifications

Heating Capacity	1,500 to 2,600 sq. ft.
BTU/H Output	13,300 - 52,400
Emissions G/H	1.8
Firebox Volume	2.5 cu. ft.
Firewood Length	22" (side to side), 16" (front to back)
Ash Pan	No
Blower	Yes
Flue Size	6"
Framing Dimensions	37 1/2" W x 34 3/4" H x 24 3/4" D
Mobile Home Approved	Yes
Approximate Weight	460 lbs.
Optional Pedestal (FA P8) (sold separately)	10 1/4" H
Hearth Pad Size**	34" W x 48" D
**Hearth pad size listed is the minimum size required for vertical vented installation.	
Requires outside air kit for mobile home installation.	
• Model 74 comes standard with 1 1/2" deep rear shields not included in the stove dimension depth.	

UNIVERSAL AND READY TO USE

The Model 74 is a non-catalytic wood-burning stove designed to meet the most stringent emissions standards without the use of a catalytic combustor. The Model 74 has a BTU rating of 52,400 and can heat up to 2,600 square feet. The 74 delivers heavy-duty heat performance and is available as a masonry fireplace or freestanding unit.



Model



21_{NC}

PERFECT FOR SMALL HOMES

The Model 21NC may be used as a fireplace insert with optional insert kit, or a freestanding unit with optional Queen Anne legs. The Model 21NC has a heating range of 800 to 1,800 square feet, with a BTU output of 11,079 - 28,901. The Model 21NC is an ideal choice for zone heating or small homes.

Model 21 Specifications

Heating Capacity	800 to 1,800 sq. ft.
BTU/H Output	11,079 - 28,901
Emissions G/H	1.7
Firebox Volume	1.6 cu. ft.
Firewood Length	18" (side to side), 11" (front to back)
Ash Pan	No
Blower	Yes
Flue Size	6"
Framing Dimensions	23 1/4" W X 21" H X 15" D
Mobile Home Approved	Yes
Approximate Weight	317 lbs.
Hearth Pad Size**	33" W x 40" D
** Hearth pad size listed is the minimum size required for vertical vented installations.	
Requires outside air kit for mobile home installation.	
• Model 21 comes standard with 1 1/2" deep rear shields not included in the stove dimension depth.	



ZC

Zero Clearance

21

Perfect for your new construction or remodeling project. Choose from two Zero Clearance models and save the expense of a masonry fireplace while enjoying all the warmth and efficiency of a Buck Stove.



SAFETY FIRST

The ZC21 is an ideal choice for zone heating or small homes, with a heating range of 800 - 1,800 square feet. This unit has an impressive 11,079 - 28,901 BTU'S per hour.

Model ZC21 Specifications

Heating Capacity	800 to 1,800 sq. ft.
BTU/H Output	11,079 - 28,901
Emissions G/H	1.7
Firebox Volume	1.6 cu. ft.
Firewood Length	18" (side to side), 11" (front to back)
Ash Pan	No
Blower	Yes
Flue Size	6"
Framing Dimensions	37 ¹ / ₂ "W x 34 ¹ / ₄ "H x 24 ³ / ₄ "D
Pre-Fab Approved	No
Mobile Home Approved	Yes
Approximate Weight	508 lbs.
Requires outside air kit for mobile home installation.	



PERFECT FOR LARGE HOMES

The ZC74 is a non-catalytic wood burning stove that has a BTU rating of 52,400 and can heat up to 2,600 sq. ft. The ZC74 is perfect for large homes.



Model ZC74 Specifications	
Heating Capacity	1,500 to 2,600 sq. ft.
BTU/H Output	13,300 - 52,400
Emissions G/H	1.8
Firebox Volume	2.15 cu. ft.
Firewood Length	22" (side to side), 16" (front to back)
Ash Pan	No
Blower	Yes
Flue Size	6"
Framing Dimensions	37 1/2"W x 34 3/4"H x 24 3/4"D
Pre-Fab Approved	No
Mobile Home Approved	Yes
Approximate Weight	629 lbs.
Requires outside air kit for mobile home installation.	



NEW & in-stock

Homesteader Wood Cook Oven

FUNCTIONAL AND FUN

Don't settle for just heating. Watch as guest enjoy freshly baked bread and party favors, or let the kids join in on putting together the perfect cookies. Come in from the cold and don't let the memories stop there. Have a natural wood burning stove, and use it to cook your favorite baked goods.

Homesteader Cook Stove Specs	
Heating Capacity	800 to 1,800 sq. ft.
BTU/H Output	11,079 - 28,901
Emissions G/H	N/A
Firebox Volume	1.6 cu. ft.
Firewood Length	12.75in"
Ash Pan	Yes
Blower	No
Flue Size	6"
Fireplace Dimensions	N/A
Pre-Fab Approved	No
Mobile Home Approved	No
Approximate Weight	630 lbs.
Some of the information may not be included as the stove is Exempt; such as the Efficiency and Heating Capacity and BTU output.	

Accessories

Please check with your local dealer for all available optional accessories and trim.

Legs

Optional legs are available for all wood stoves. The legs come in two sizes small and large. Additionally, all legs are available in pewter, black, and gold.

Trims (Bay Window)

All wood stoves are available with optional black, pewter and gold doors. Bay windows are available for Model 81 & 91. Large and small doors are optional based on the stove model.

(Door Spring Handles in gold or black)

Blower Kit

Optional blower kit assemblies are available for Models 21NC, 51, 74 and 261. If you purchase the model 21 & 74 after May 2021 blower kit assembly is included.

(small legs)



(large legs)



(standard)



(oversized)

Model	Standard Trim Kit	Oversized Trim Kit
Model 21NC	29"H x 39 3/4"W	32"H x 45 3/4"W
Model 74	30 1/4"H x 44"W	33 1/4"H x 50"W
Model 81	32 5/6"H x 44 3/8"W	50 5/6"H x 35 3/4"W
Model 91	32"H x 49 1/2"W	35"H x 55 1/2"W



Wood Stoves Technical Performance

Model	Heating Capacity	Emissions G/H	Firebox Volume	Firewood Length		Ash Pan	Blower	Flue Size	Minimum Fireplace Dimensions: W H D	Approved For		Approx. Stove Weight
				(Placement)*						Prefab	Mobile Home	
				Front to Back	Front to Side							

Non-Catalytic

21NC	800-1,800	1.7	1.6	11"	18"	No	Yes	6"	23¼"x21"x15"	Yes	Yes	317
74	1,500-2,600	1.8	2.15	16"	22"	No	Yes	6"	27¼"x22"x15"	Yes	Yes	447
81	1,600-2,700	1.1	2.48	20"	18"	Yes	Yes	6"	29"x23¾"x14"	Yes	Yes	460

Catalytic

91	1,800-3,200	1.9	4.4	22"	23"	Yes	Yes	8"	31¼"x23½"x15½"	No	No	626
----	-------------	-----	-----	-----	-----	-----	-----	----	----------------	----	----	-----

Zero Clearance

ZC74	1,500-2,600	1.8	2.15	16"	22"	No	Yes	6"	N/A	No	Yes	620
ZC21 NC	800-1,800	1.7	1.6	11"	18"	No	Yes	6"	N/A	No	Yes	508

*For peak performance, New Buck Corporation recommends burning your wood in a front to back placement on all Buck Stove wood burning units

*The heating capacity and BTU output of any Buck Stove will vary depending upon the following factors: ceiling height, shape of dwelling, insulation factor, amount of glass, location of unit in dwelling, type and moisture content of wood being burned and whether the model has a blower. Stone fireplaces, large flues, double flues & fireplaces with existing ash dump may require optional direct connect kits. See dealer for details. All Buck Wood Stoves, fireplace inserts and freestanding stoves are tested and listed to UL Standards by ITC (Warnock Hersey/Intertek).

Model	Fireplace Insert Information				Freestanding** Clearance to Combustibles † †			Close Clearance** to Combustibles † †		
	Clearances		Trim Kit Size		Corner	Rear	Side	Corner	Rear	Side
	Mantle	Sidewall	Top	Side						

Non-Catalytic

21NC	18"	18"	9"	9"	13"	13"	25"	7"	7"	19"
74	24"	16"	9"	9"	8"	8"	25"	4"	4"	23"
81	21"	12"	9"	9"	16"	23"	23"	12"	16"	12"

Catalytic

91	30"	20"	9"	9"	16"	23"	24"	N/A	N/A	N/A
----	-----	-----	----	----	-----	-----	-----	-----	-----	-----

Coal Series

Model 24	N/A	N/A	N/A	N/A	33"	33"	30"	N/A	N/A	N/A
Combo Coal	N/A	N/A	N/A	N/A	N/A	30"	19"	6"	N/A	No

Dimensions For Zero Clearance Systems

Model	Framing			Overall Dimensions Front		Clearances	
	Width	Height	Depth †	Width	Height	Mantle (above unit)	Sidewall (door to wall)
ZC21NC	37½"	34¼"	24¾"	37"	34"	30½"	26"
ZC74	37½"	34¾"	24¾"	37"	34"	30½"	26"

*The clearances listed above may be reduced. Check owner's manual for details or follow NFPA-211 code if available.

*Models 21 & 74 were tested with close clearance shields & double wall pipe

Model 91 is tested with only double wall pipe.

Model 81 tested with close clearance shields & single wall pipe.

† Depth from finished wall.

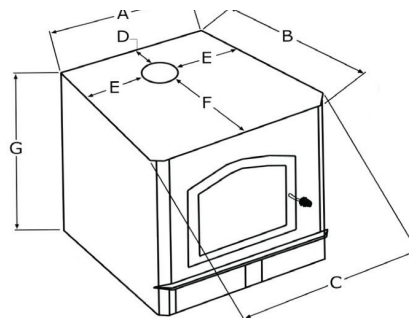
† † Clearances listed are for vertical installations only.

† † These units are Exempt from emissions under Method 28

Stove Dimensions

Model	A	B	C	D	E	F	G
21NC	22"	18½"	23¾"	2½"	7 ¹³ / ₁₆ "	9¾"	20¼"
74	26¾"	22½"	27 ⁹ / ₈ "	2½"	10"	13¾"	21½"
81	25 ⁵ / ₈ "	25¼"	30¼"	3"	10½"	16¾"	23 ⁷ / ₁₆ "
91	25"	28 ⁷ / ₈ "	34¼"	2¾"	10"	18 ¹ / ₈ "	23 ³ / ₁₆ "
C.Coal	35 ⁵ / ₈ "	21½"	35 ⁹ / ₈ "	N/A	N/A	N/A	35
24 Coal	25"	21"	25"	3½"	9¼"	11 ⁷ / ₁₆ "	23 ¹ / ₁₆ "

Model 21 and 74 come standard with a 1½" deep rear shield. This shield is **NOT** included in the measurement of the stove depth (B).



New Buck Corporation
200 Ethan Allen Rd
Spruce Pine, N.C. 2877
828-765-6144