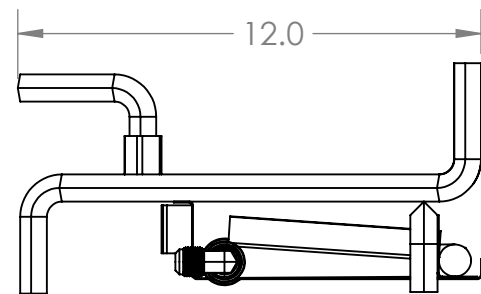
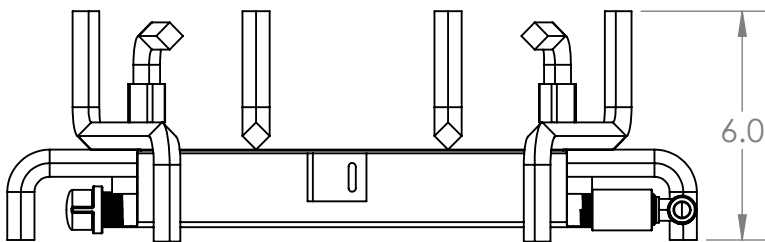
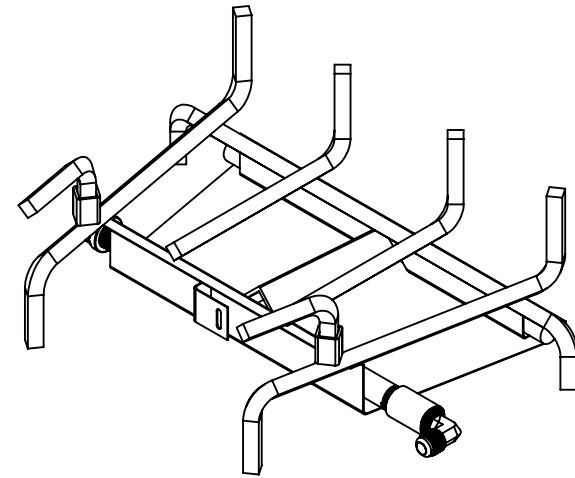
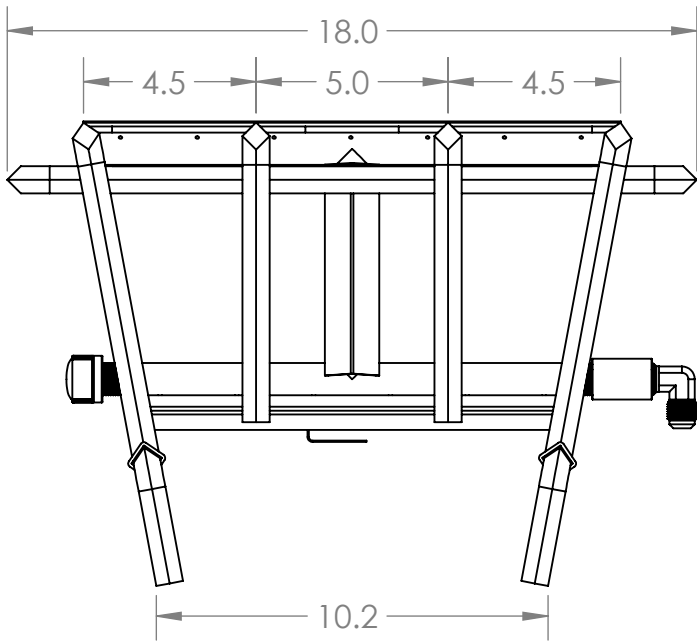


2

1

| REVISIONS | | | |
|-----------|-------------------------|----------|----------|
| REV. | DESCRIPTION | DATE | APPROVED |
| A | RELEASED FOR PRODUCTION | 8/2/2022 | |



BRANDED: GRAND CANYON GAS LOGS
MODEL #: 2BRN-18

UNLESS OTHERWISE SPECIFIED:

DIMENSIONS ARE IN INCHES
TOLERANCES:
BEND +2/-0
ONE PLACE DECIMAL ±.125
TWO PLACE DECIMAL ±.0625

INTERPRET GEOMETRIC
TOLERANCING PER:

MATERIAL

FINISH

DO NOT SCALE DRAWING

| | NAME | DATE |
|-----------|------|---------|
| DRAWN | RG | 8/2/22 |
| CHECKED | DF | 8/10/22 |
| ENG APPR. | | |
| MFG APPR. | | |
| Q.A. | | |

PROPRIETARY AND CONFIDENTIAL
THE INFORMATION CONTAINED IN
THIS DRAWING IS THE SOLE PROPERTY
OF RICHARDSON'S PRODUCT
GROUP. ANY REPRODUCTION IN
PART OR AS A WHOLE WITHOUT THE
WRITTEN PERMISSION OF
RICHARDSON'S PRODUCT GROUP IS
PROHIBITED.

RPG BRANDS

TITLE:

2BRN-18

| | | |
|----------|----------|-----|
| SIZE | DWG. NO. | REV |
| A | 02-00404 | A |

SCALE: 1:5 WEIGHT: SHEET 1 OF 1



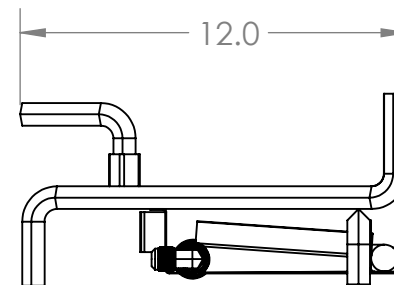
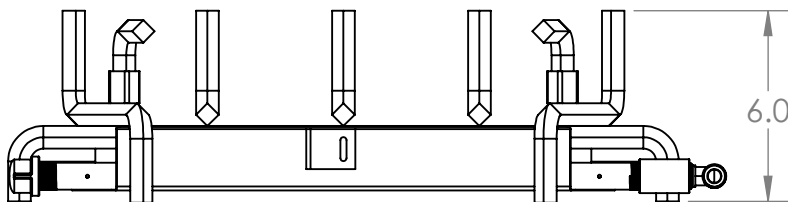
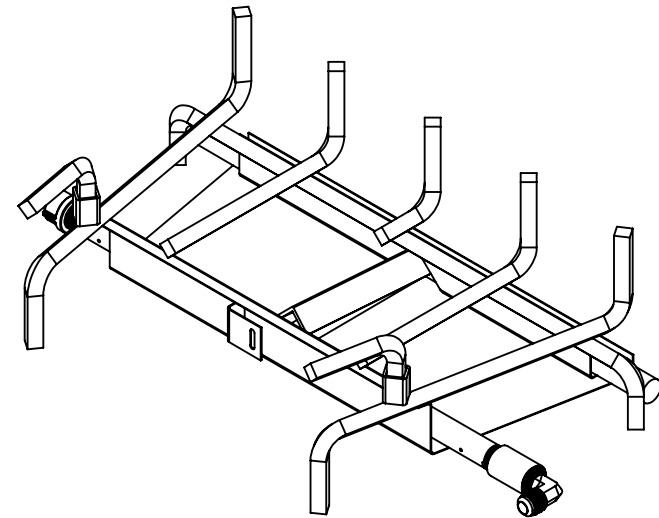
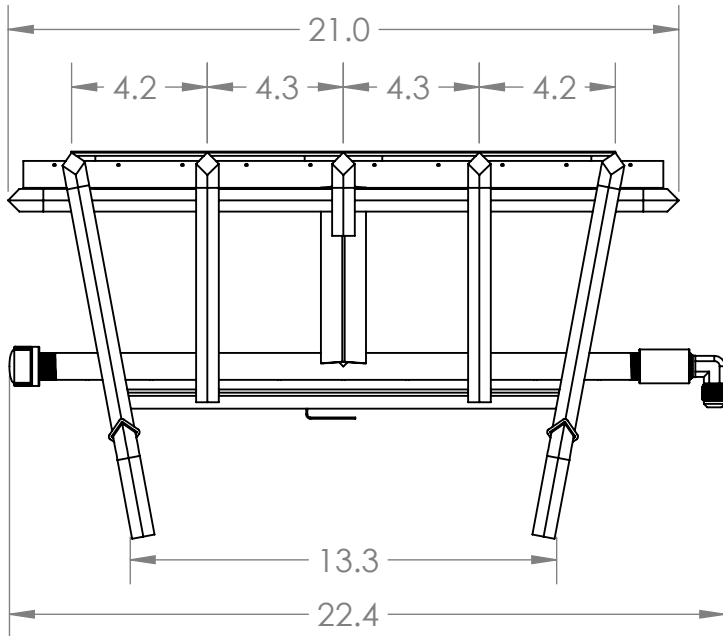
2

1

2

1

| REVISIONS | | | |
|-----------|-------------------------|----------|----------|
| REV. | DESCRIPTION | DATE | APPROVED |
| A | RELEASED FOR PRODUCTION | 8/2/2022 | |



BRANDED: GRAND CANYON GAS LOGS
MODEL #: 2BRN-21



UNLESS OTHERWISE SPECIFIED:

DIMENSIONS ARE IN INCHES
TOLERANCES:
BEND +2/-0
ONE PLACE DECIMAL ±.125
TWO PLACE DECIMAL ±.0625

INTERPRET GEOMETRIC
TOLERANCING PER:

MATERIAL

FINISH

DO NOT SCALE DRAWING

| | NAME | DATE |
|-----------|------|---------|
| DRAWN | RG | 8/2/22 |
| CHECKED | DF | 8/10/22 |
| ENG APPR. | | |
| MFG APPR. | | |
| Q.A. | | |

PROPRIETARY AND CONFIDENTIAL
THE INFORMATION CONTAINED IN
THIS DRAWING IS THE SOLE PROPERTY
OF RICHARDSON'S PRODUCT
GROUP. ANY REPRODUCTION IN
PART OR AS A WHOLE WITHOUT THE
WRITTEN PERMISSION OF
RICHARDSON'S PRODUCT GROUP IS
PROHIBITED.

RPG BRANDS

TITLE:

2BRN-21

| SIZE | DWG. NO. | REV |
|----------|----------|-----|
| A | 02-00405 | A |

SCALE: 1:6 WEIGHT: SHEET 1 OF 1

2

1

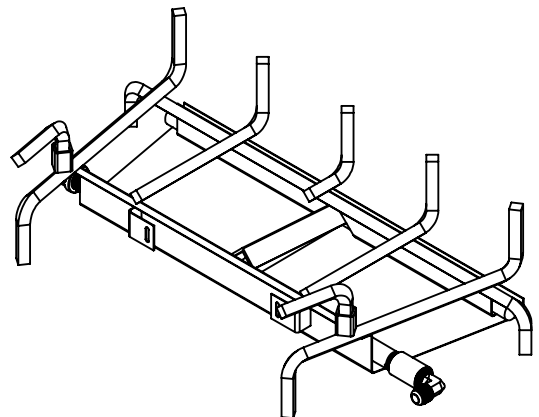
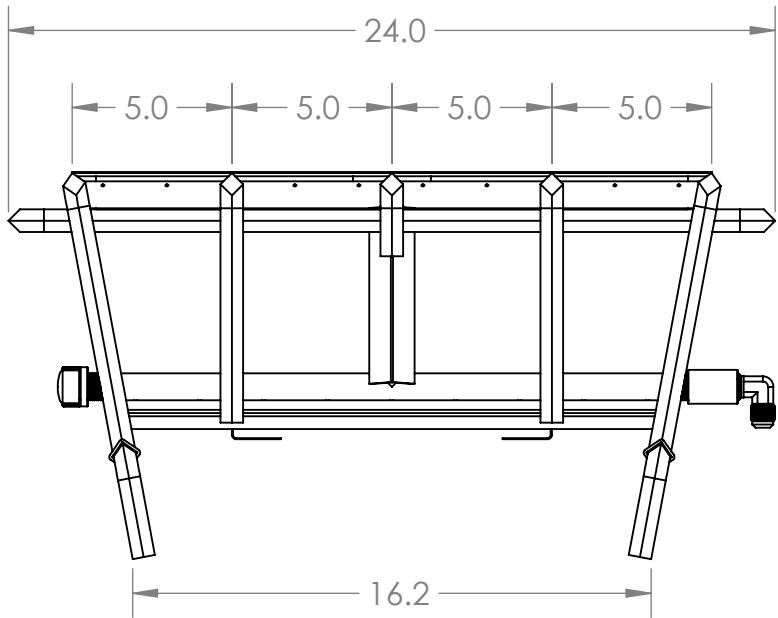
2

1

| REVISIONS | | | |
|-----------|-------------------------|----------|----------|
| REV. | DESCRIPTION | DATE | APPROVED |
| A | RELEASED FOR PRODUCTION | 8/2/2022 | |

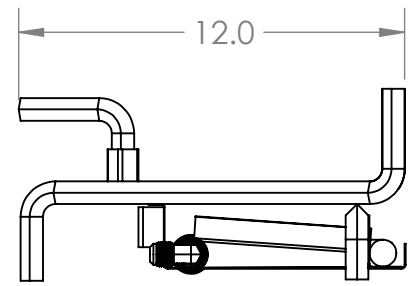
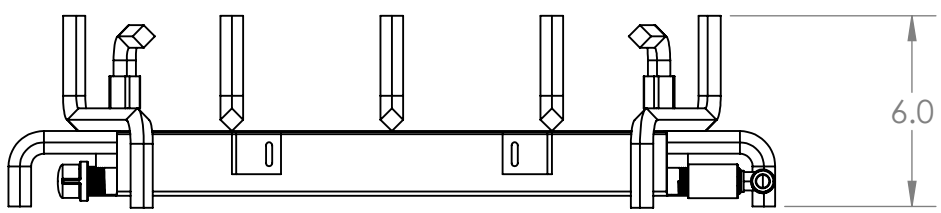
B

B



A

A



BRANDED: GRAND CANYON GAS LOGS
MODEL #: 2BRN-24



| | | |
|--------------------------------------|--|---------|
| UNLESS OTHERWISE SPECIFIED: | NAME | DATE |
| DIMENSIONS ARE IN INCHES | DRAWN | RG |
| TOLERANCES: | CHECKED | DF |
| BEND +2/-0 | ENG APPR. | 8/10/22 |
| ONE PLACE DECIMAL ±.125 | MFG APPR. | |
| TWO PLACE DECIMAL ±.0625 | Q.A. | |
| INTERPRET GEOMETRIC TOLERANCING PER: | PROPRIETARY AND CONFIDENTIAL | |
| MATERIAL | THE INFORMATION CONTAINED IN THIS DRAWING IS THE SOLE PROPERTY OF RICHARDSON'S PRODUCT GROUP. ANY REPRODUCTION IN PART OR AS A WHOLE WITHOUT THE WRITTEN PERMISSION OF RICHARDSON'S PRODUCT GROUP IS PROHIBITED. | |
| FINISH | SEE NOTE | |
| DO NOT SCALE DRAWING | | |

RPG BRANDS

| | | |
|------------|----------|--------------|
| TITLE: | 2BRN-24 | |
| SIZE | DWG. NO. | REV |
| A | 02-00406 | A |
| SCALE: 1:6 | WEIGHT: | SHEET 1 OF 1 |

2

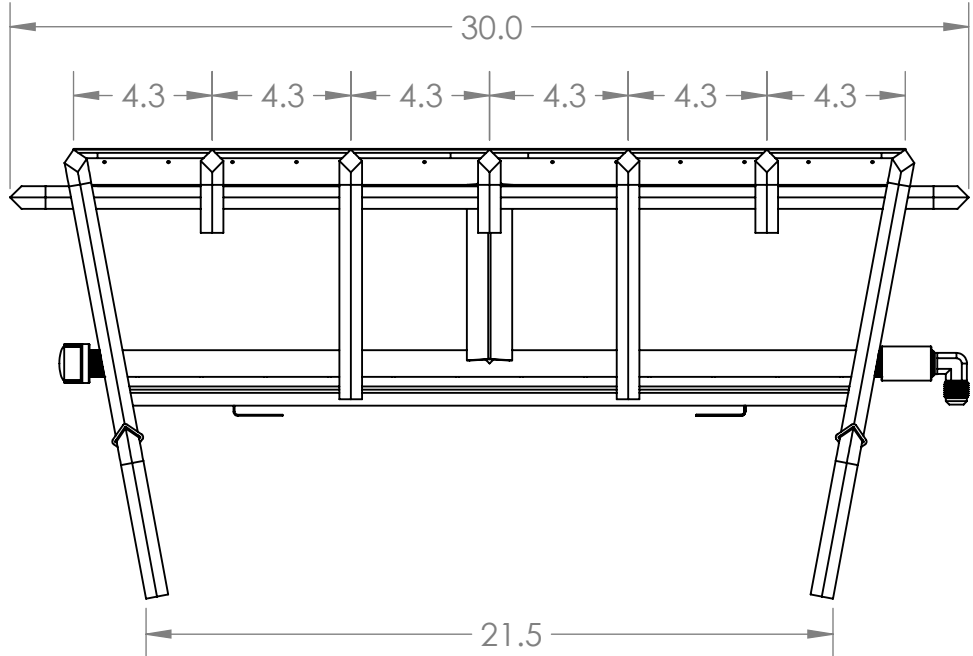
1

2

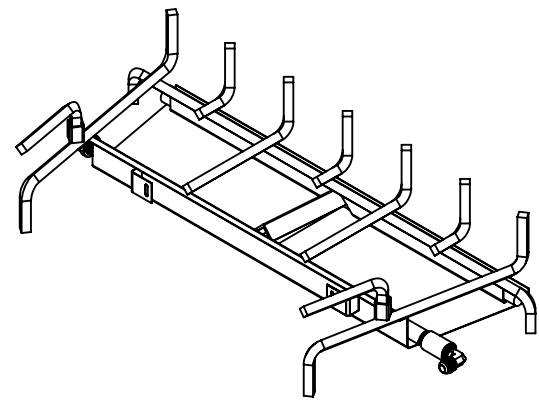
1

| REVISIONS | | | |
|-----------|-------------------------|----------|----------|
| REV. | DESCRIPTION | DATE | APPROVED |
| A | RELEASED FOR PRODUCTION | 8/2/2022 | |

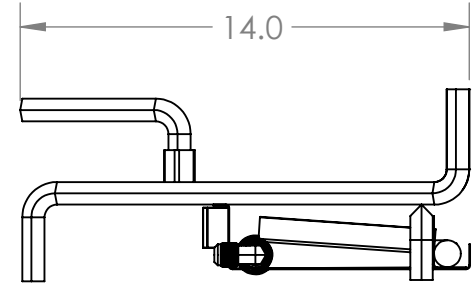
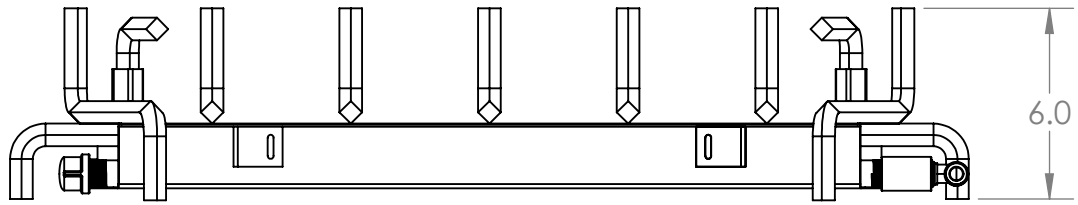
B



B



A



A

BRANDED: GRAND CANYON GAS LOGS
MODEL #: 2BRN-30



UNLESS OTHERWISE SPECIFIED:

DIMENSIONS ARE IN INCHES
TOLERANCES:
BEND +2/-0
ONE PLACE DECIMAL ±.125
TWO PLACE DECIMAL ±.0625

INTERPRET GEOMETRIC TOLERANCING PER:

MATERIAL

FINISH

DO NOT SCALE DRAWING

| | NAME | DATE |
|-----------|------|---------|
| DRAWN | RG | 8/2/22 |
| CHECKED | DF | 8/10/22 |
| ENG APPR. | | |
| MFG APPR. | | |
| Q.A. | | |

PROPRIETARY AND CONFIDENTIAL
THE INFORMATION CONTAINED IN THIS DRAWING IS THE SOLE PROPERTY OF RICHARDSON'S PRODUCT GROUP. ANY REPRODUCTION IN PART OR AS A WHOLE WITHOUT THE WRITTEN PERMISSION OF RICHARDSON'S PRODUCT GROUP IS PROHIBITED.

RPG BRANDS

TITLE:
2BRN-30

| | | |
|----------|-----------------|----------|
| SIZE | DWG. NO. | REV |
| A | 02-00407 | A |

| | | |
|------------|---------|--------------|
| SCALE: 1:6 | WEIGHT: | SHEET 1 OF 1 |
|------------|---------|--------------|

2

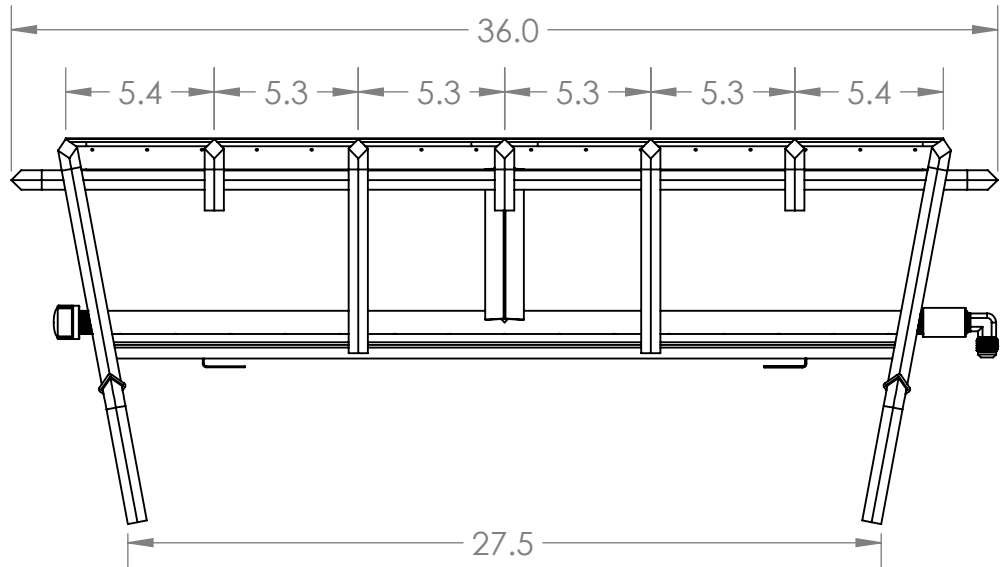
1

2

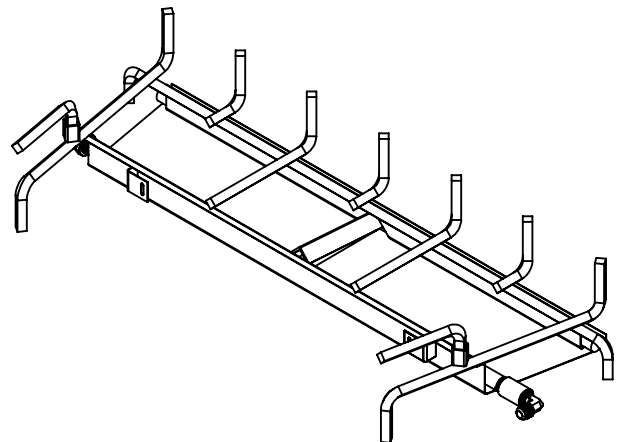
1

| REVISIONS | | | |
|-----------|-------------------------|----------|----------|
| REV. | DESCRIPTION | DATE | APPROVED |
| A | RELEASED FOR PRODUCTION | 8/2/2022 | |

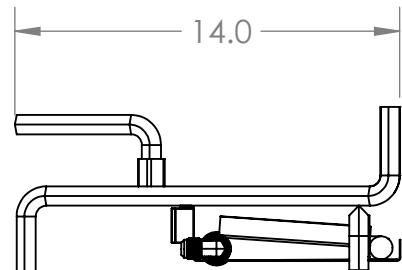
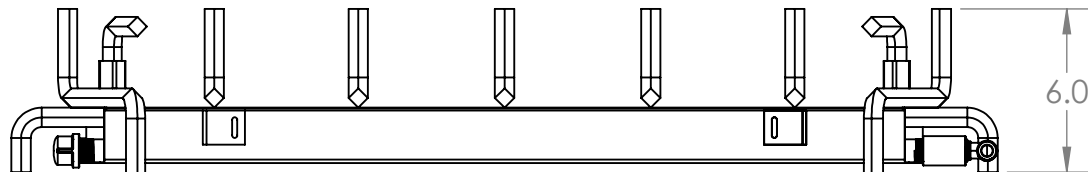
B



B



A



A

BRANDED: GRAND CANYON GAS LOGS
MODEL #: 2BRN-36



| | | |
|--------------------------------------|--|---------|
| UNLESS OTHERWISE SPECIFIED: | NAME | DATE |
| DIMENSIONS ARE IN INCHES | DRAWN | RG |
| TOLERANCES: | CHECKED | DF |
| BEND +2/-0 | ENG APPR. | 8/10/22 |
| ONE PLACE DECIMAL ±.125 | MFG APPR. | |
| TWO PLACE DECIMAL ±.0625 | Q.A. | |
| INTERPRET GEOMETRIC TOLERANCING PER: | PROPRIETARY AND CONFIDENTIAL | |
| MATERIAL | THE INFORMATION CONTAINED IN THIS DRAWING IS THE SOLE PROPERTY OF RICHARDSON'S PRODUCT GROUP. ANY REPRODUCTION IN PART OR AS A WHOLE WITHOUT THE WRITTEN PERMISSION OF RICHARDSON'S PRODUCT GROUP IS PROHIBITED. | |
| FINISH | | |
| DO NOT SCALE DRAWING | | |

RPG BRANDS

TITLE:
2BRN-36

| | | |
|------------|-----------------|--------------|
| SIZE | DWG. NO. | REV |
| A | 02-00408 | A |
| SCALE: 1:7 | WEIGHT: | SHEET 1 OF 1 |

2

1

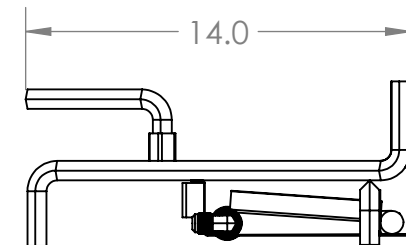
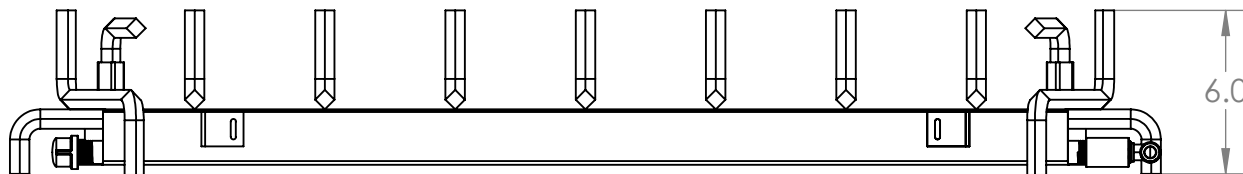
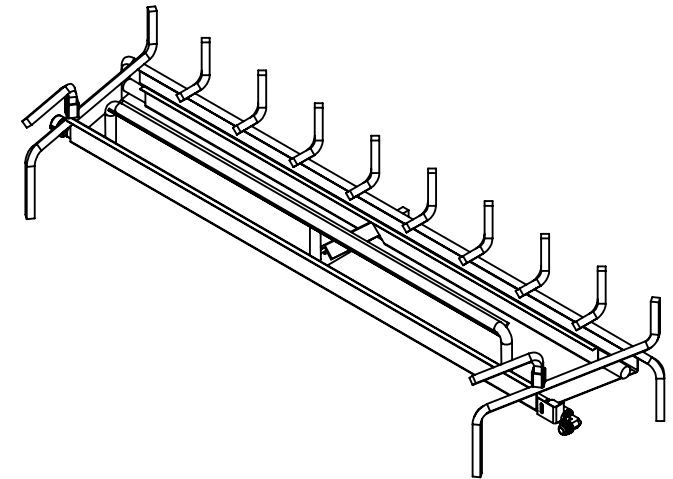
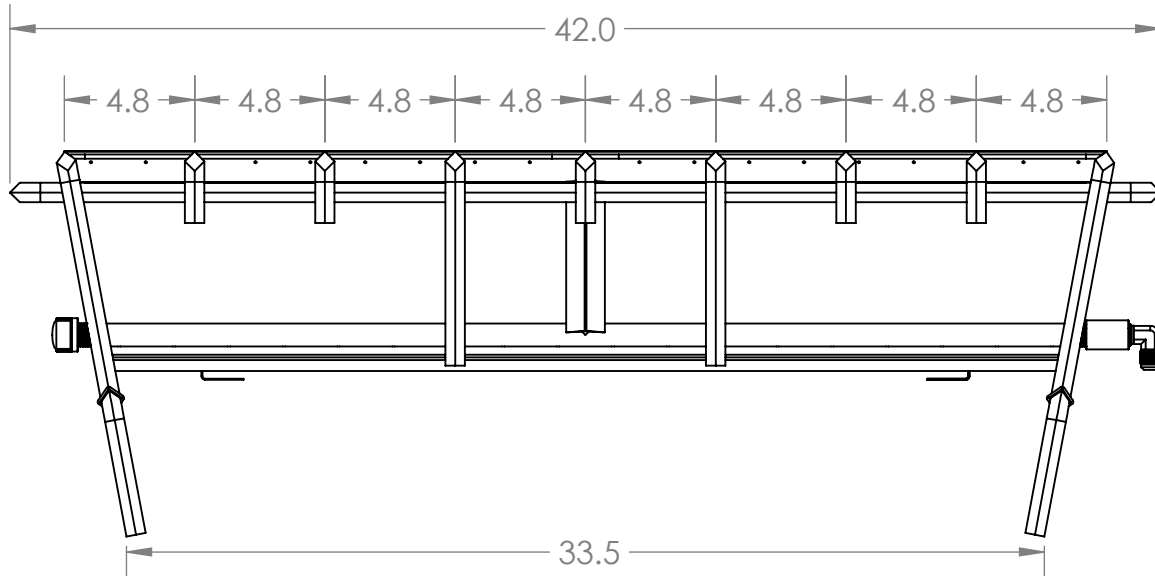
2

1

| REVISIONS | | | |
|-----------|-------------------------|----------|----------|
| REV. | DESCRIPTION | DATE | APPROVED |
| A | RELEASED FOR PRODUCTION | 8/2/2022 | |

B

B



A

A

BRANDED: GRAND CANYON GAS LOGS
MODEL #: 2BRN-42



UNLESS OTHERWISE SPECIFIED:

DIMENSIONS ARE IN INCHES
TOLERANCES:
BEND +2/-0
ONE PLACE DECIMAL ±.125
TWO PLACE DECIMAL ±.0625

INTERPRET GEOMETRIC
TOLERANCING PER:

MATERIAL

FINISH

SEE NOTE

DO NOT SCALE DRAWING

| | NAME | DATE |
|-----------|------|---------|
| DRAWN | RGRG | 8/2/22 |
| CHECKED | DF | 8/10/22 |
| ENG APPR. | | |
| MFG APPR. | | |
| Q.A. | | |

PROPRIETARY AND CONFIDENTIAL
THE INFORMATION CONTAINED IN
THIS DRAWING IS THE SOLE PROPERTY
OF RICHARDSON'S PRODUCT
GROUP. ANY REPRODUCTION IN
PART OR AS A WHOLE WITHOUT THE
WRITTEN PERMISSION OF
RICHARDSON'S PRODUCT GROUP IS
PROHIBITED.

RPG BRANDS

TITLE:

2BRN-42

| | | |
|------------|----------|--------------|
| SIZE | DWG. NO. | REV |
| A | 02-00409 | A |
| SCALE: 1:7 | WEIGHT: | SHEET 1 OF 1 |

2

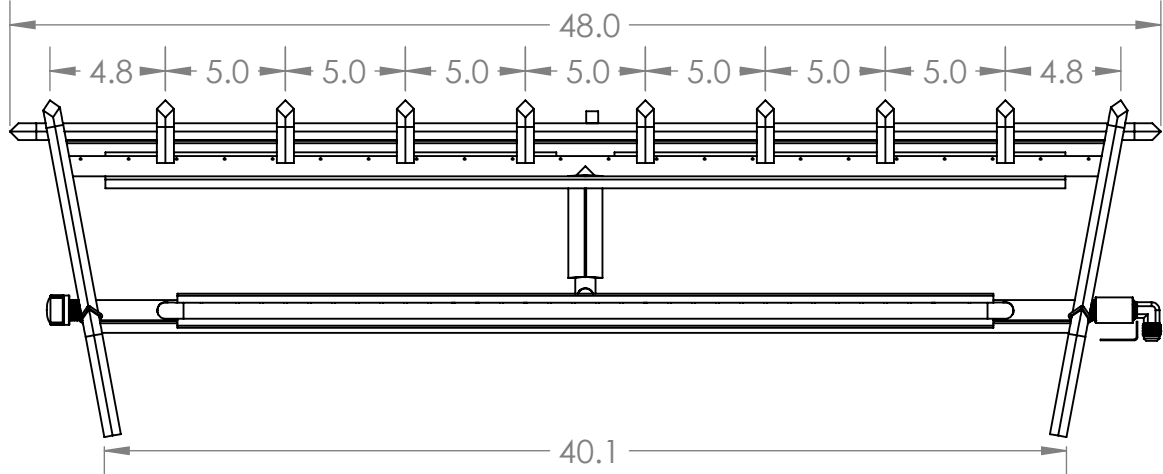
1

2

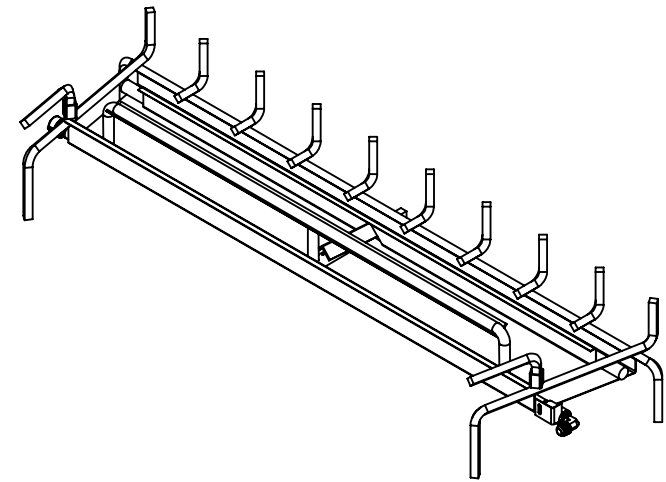
1

| REVISIONS | | | |
|-----------|-------------------------|----------|----------|
| REV. | DESCRIPTION | DATE | APPROVED |
| A | RELEASED FOR PRODUCTION | 8/2/2022 | |

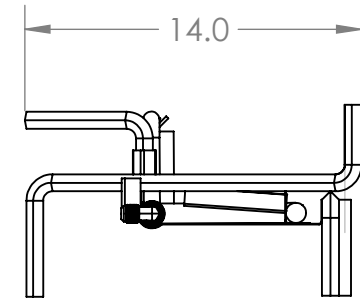
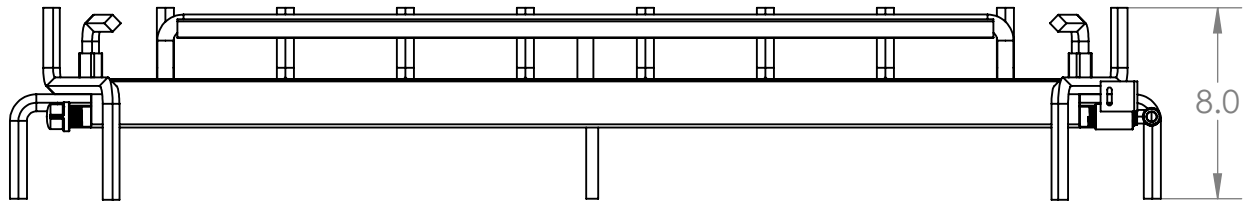
B



B



A



A

BRANDED: GRAND CANYON GAS LOGS
MODEL #: 2BRN-48



UNLESS OTHERWISE SPECIFIED:

DIMENSIONS ARE IN INCHES
TOLERANCES:
BEND +2/-0
ONE PLACE DECIMAL ±.125
TWO PLACE DECIMAL ±.0625

INTERPRET GEOMETRIC TOLERANCING PER:

MATERIAL SEE NOTE

FINISH SEE NOTE

DO NOT SCALE DRAWING

| | NAME | DATE |
|-----------|------|---------|
| DRAWN | RG | 8/2/22 |
| CHECKED | DF | 8/10/22 |
| ENG APPR. | | |
| MFG APPR. | | |
| Q.A. | | |

PROPRIETARY AND CONFIDENTIAL
THE INFORMATION CONTAINED IN THIS DRAWING IS THE SOLE PROPERTY OF RICHARDSON'S PRODUCT GROUP. ANY REPRODUCTION IN PART OR AS A WHOLE WITHOUT THE WRITTEN PERMISSION OF RICHARDSON'S PRODUCT GROUP IS PROHIBITED.

RPG BRANDS

TITLE:
2BRN-48

| | | |
|----------|-----------------|----------|
| SIZE | DWG. NO. | REV |
| A | 02-00535 | A |

| | | |
|------------|---------|--------------|
| SCALE: 1:8 | WEIGHT: | SHEET 1 OF 1 |
|------------|---------|--------------|

2

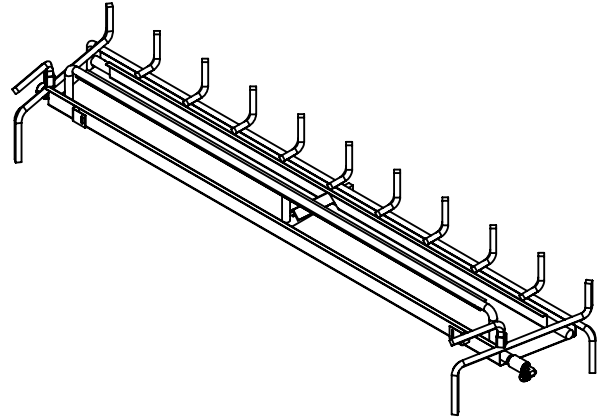
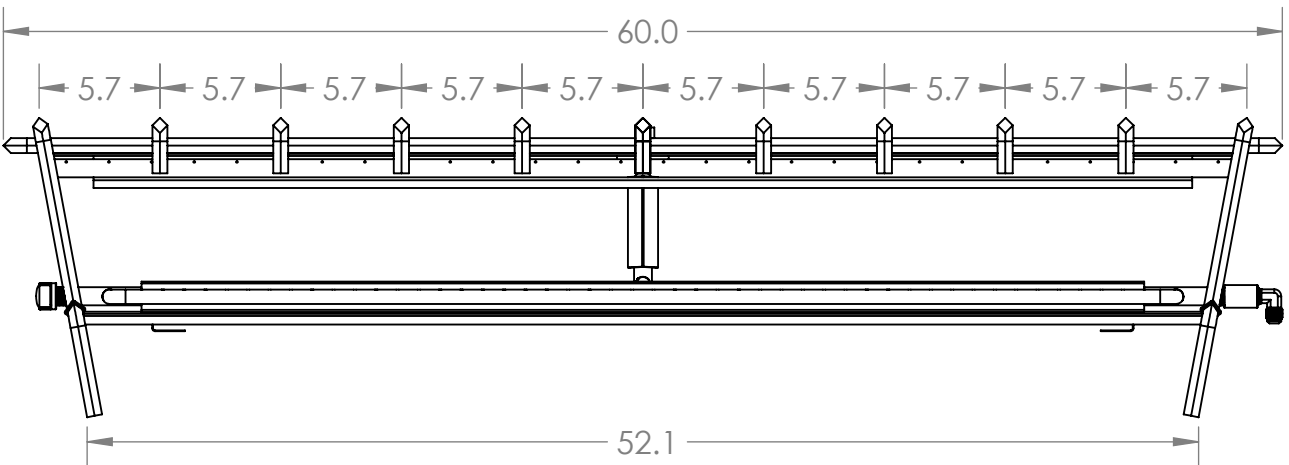
1

2

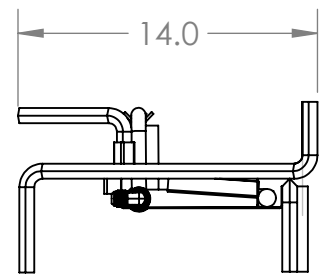
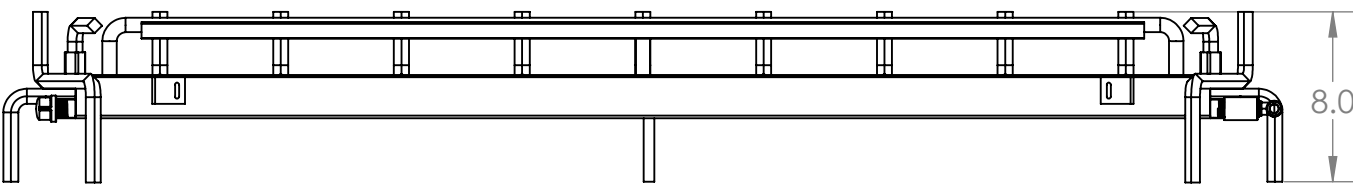
1

| REVISIONS | | | |
|-----------|-------------------------|----------|----------|
| REV. | DESCRIPTION | DATE | APPROVED |
| A | RELEASED FOR PRODUCTION | 8/2/2022 | |

B



B



A

BRANDED: GRAND CANYON GAS LOGS
MODEL #: 2BRN-60



UNLESS OTHERWISE SPECIFIED:

DIMENSIONS ARE IN INCHES
TOLERANCES:
BEND +2/-0
ONE PLACE DECIMAL ±.125
TWO PLACE DECIMAL ±.0625

INTERPRET GEOMETRIC TOLERANCING PER:

MATERIAL SEE NOTE

FINISH SEE NOTE

DO NOT SCALE DRAWING

| | NAME | DATE |
|-----------|------|---------|
| DRAWN | RG | 8/2/22 |
| CHECKED | DF | 8/10/22 |
| ENG APPR. | | |
| MFG APPR. | | |
| Q.A. | | |

PROPRIETARY AND CONFIDENTIAL
THE INFORMATION CONTAINED IN THIS DRAWING IS THE SOLE PROPERTY OF RICHARDSON'S PRODUCT GROUP. ANY REPRODUCTION IN PART OR AS A WHOLE WITHOUT THE WRITTEN PERMISSION OF RICHARDSON'S PRODUCT GROUP IS PROHIBITED.

RPG BRANDS

TITLE:
2BRN-60

| | | |
|----------|-----------------|----------|
| SIZE | DWG. NO. | REV |
| A | 02-00541 | A |

| | | |
|------------|---------|--------------|
| SCALE: 1:9 | WEIGHT: | SHEET 1 OF 1 |
|------------|---------|--------------|

A

2

1