

BROILMASTER®

PREMIUM GRILLS

GRIDDLE

32-inch GRIDDLE HEAD.

Take outdoor entertaining to a whole new level with the Broilmaster Griddle. Our stainless steel griddle is equipped with two stainless u-shaped burners that can produce up to 36,000 BTU's over the 462 square inch cooking surface. Effortlessly light the griddle with flame thrower ignition and lighted control knobs. Pair the 32-inch griddle head with the durable Broilmaster two-door cart for added storage.

STANDARD FEATURES

- Stainless Steel
- Heavy-Duty Flat Top Cooking Surface
- Flame Thrower Ignition
- Welded Lid
- Stainless Steel U-Burners (18,000 BTUs)
- Control Knob Lights
- Drip Tray

32-IN (TWO BURNER) -36,000 BTUs

UP TO 462 SQ. IN. COOKING AREA



32-IN GRIDDLE on CART

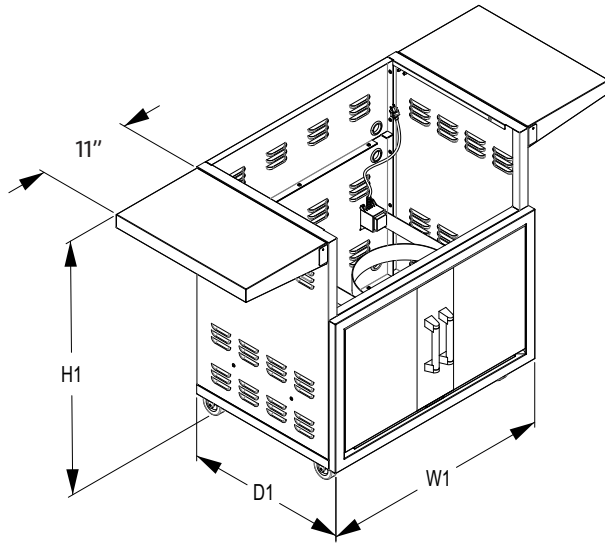
DOUBLE DOOR CART HOLDS UP TO 20 LB FUEL TANK



BSB322G GRIDDLE HEAD BUILT-IN DIMENSIONS (IN INCHES)

A	8 1/2
B	20 1/2
C	31

DIMENSIONS



CART DIMENSIONS (IN INCHES)

H1	35 3/4
D1	22
W1	33 1/2

WARRANTY

LIMITED LIFETIME: Against rust-through on stainless steel grill housing, stainless steel cooking grids, and select stainless steel components including carts, cast stainless steel burners, stainless steel drip tray, side burners, side burner housings, warming racks, built-in sleeves, access doors and drawers, and vent register kits.

LIMITED 5 YEAR: Against rust-through on flare control vaporizers and heat zone dividers. **1 YEAR:** Against rust-through on valves, knobs, ignitors, labels, hoses, fittings, and all other parts and accessories – including those made from stainless steel.

BROILMASTER

918 Freeburg Avenue • Belleville, Illinois 62220 | 010132 032624