

TECHNICAL SPECIFICATIONS

FSA3BF Series

Extra High Efficiency Air Conditioner 15.2 SEER2 Residential System 2 - 5 Ton Capacity

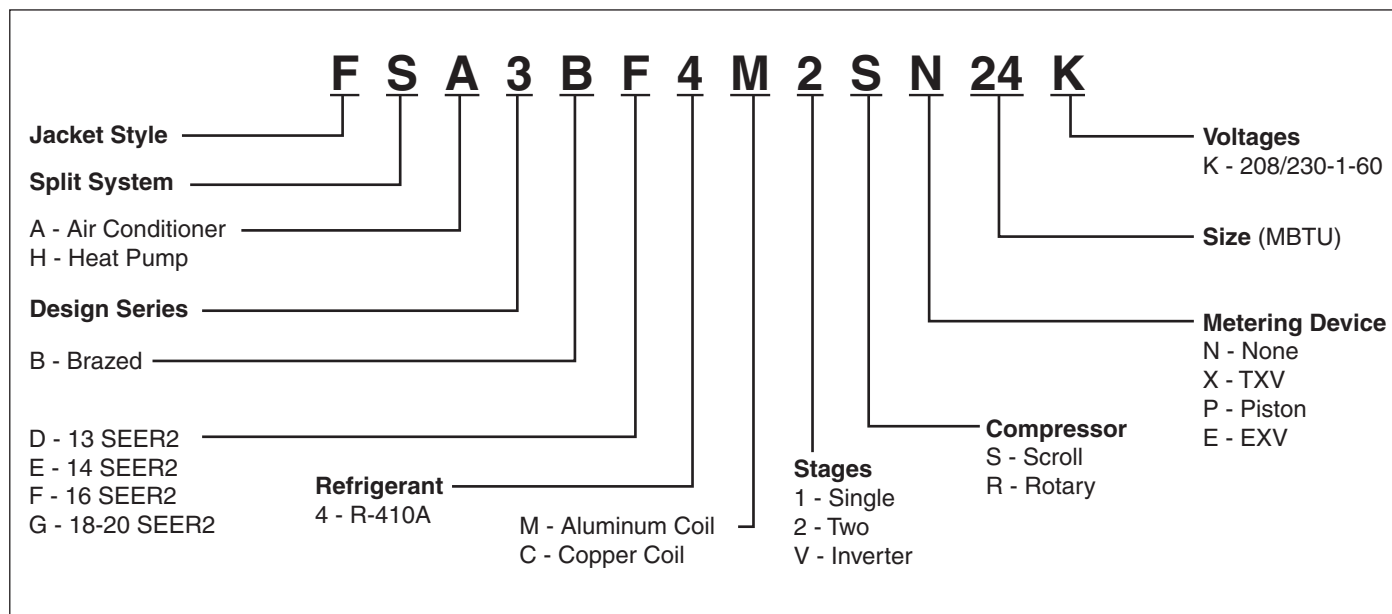
The FSA3BF Series air conditioners offers exceptional performance. The unit, when combined with our engineered coils or air handlers, offers a line of quality, 15.2 SEER2 split system cooling equipment.



FEATURES and BENEFITS

- **Copeland Scroll Two Stage Compressor:** The two stage compressor operates at 2 different capacity points to provide superior comfort and efficiency. Copeland's proven and simple design equates to years of comfort and reliability for the homeowner with virtually silent operation.
- **Designed Using Galvanized Steel:** With powder-coated paint with a gloss finish that eliminates sharp edges and reduces scratching. It passes 950 hours of salt spray per ASTM Std. B117.
- **Composite Base Pan:** Absorbs sound and is corrosion resistant. Composite is also stronger and lighter than steel.
- **Compressor Sound Blanket:** Engineered to significantly reduce unwanted compressor noise.
- **Swept-Wing Fan Blade:** Designed to significantly reduce unwanted noise.
- **Removable Top Grille Assembly:** Allows ease of service from the top without disconnecting fan motor leads.
- **Low Pressure Switch:** Loss of charge protection ensures long compressor life. Auto-reset feature prevents nuisance service visits.
- **High Pressure Switch:** Protects against abnormally high system pressures. Auto-reset feature prevents nuisance service visits.
- **Liquid Line Filter Drier:** Included with unit, field installed.
- **One Piece Top/Orifice:** Designed for maximum airflow and quiet operation.
- **Easy Compressor and Control Access:** Designed to make servicing easier for the contractor, access panels are provided to all controls and the compressor from the side of the unit.
- **Aluminum Coils:** All aluminum coils in all models which provides high corrosion resistance.
- **Service-Friendly Jacket:** Side panels can be easily removed and replaced without removing the top grill.

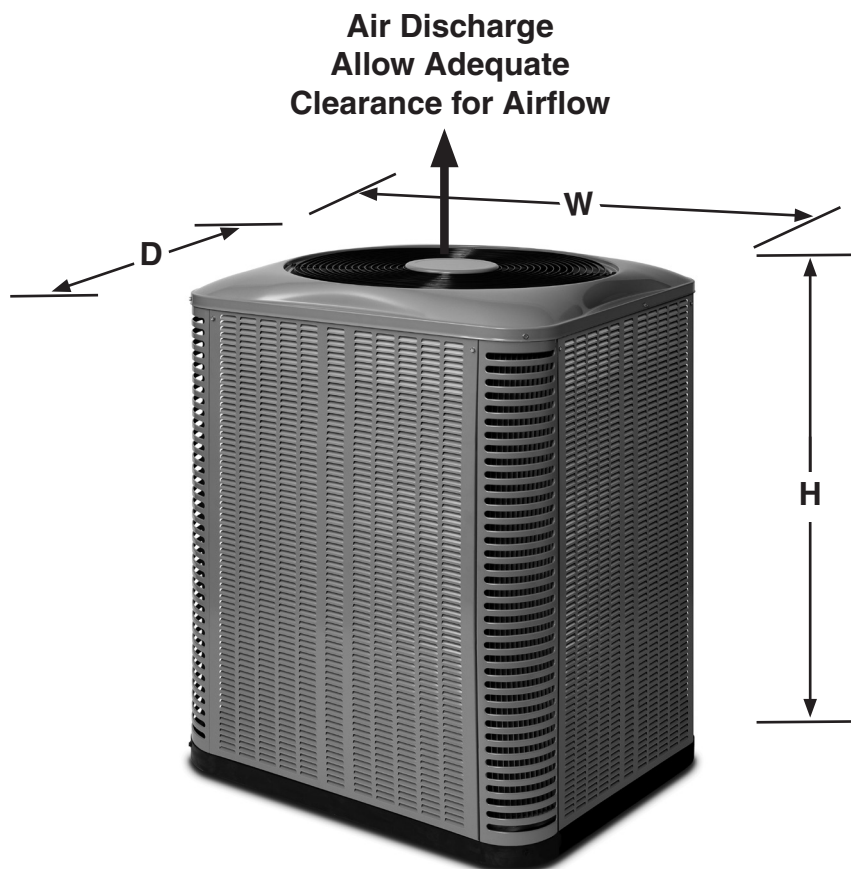
MODEL IDENTIFICATION CODES



DIMENSIONS

AIR CONDITIONER OUTDOOR SECTION

Model	W	D	H
FSA3BF4M2SN24K	31.75	31.75	29.5
FSA3BF4M2SN36K	31.75	31.75	45.5
FSA3BF4M2SN48K	31.75	31.75	45.5
FSA3BF4M2SN60K	31.75	31.75	45.5



PHYSICAL AND ELECTRICAL SPECIFICATIONS / OUTDOOR UNITS

15.2 SEER2 — Extra High Efficiency — Single Phase

Model Number FSA3BF4M		2SN24K	2SN36K	2SN48K	2SN60K
Electrical Data	Volts-Cycles-Phase (1)	208/230-60-1			
	Delay Fuse Max. (2)	25	30	45	60
	Min. Circuit Ampacity	14.5	19.1	28.0	34.6
	Comp. Locked Rotor Amp	62.9	84.2	122.1	158.0
	Fan Motor HP	1/8	1/4	1/3	1/3
Refrigerant suction line O.D. NOTE: Liquid line is 3/8" O.D. for entire length.	0-24 ft.	3/4"	3/4"	7/8"	7/8"
	25-39 ft.	3/4"	3/4"	7/8"	7/8"
	40-75 ft.	3/4"	3/4"	7/8"	1-1/8" (3)
Approximate Weight (lbs.)	Ship	153	208	240	246
Sound Ratings dBA		71	76	76	76

(1) Operating Voltage Range: 187v min. - 253v max.

(2) HACR Type Circuit Breakers may be used.

(3) Requires 1-1/8" to 7/8" reducer from line to unit.

ACCESSORIES - Condensing Unit

Start Assist Kit - 912933

Provides additional starting torque for the compressor motor when operating with low line voltage or high operating temperatures.

High Wind Tie-Down Kits - <http://miamitech.com/products/metal/cutdnortek.html>

Low Ambient Kit - 918837

Cantilever Mounting Kit - 1018671

Four mounting corner post/panel split system design to cantilever mounts.

SYSTEM COOLING CAPACITIES

15.2 SEER2 — Extra High Efficiency — Single Phase

Outdoor Unit	Indoor Unit	Cooling Capacity	EER2	SEER2	Indoor Rated CFM	Min. CFM	DTC
FSA3BF4M2SN24K	C74B(A,H)MX36C-B	23400	11.7	14.3	750	565	Yes
FSA3BF4M2SN36K	C74B(A,H)MX36C-B	35000	11.7	14.3	1050	790	Yes
FSA3BF4M2SN36K	C74B(A,H)MX36C-C	35000	11.7	14.3	1050	790	No
FSA3BF4M2SN48K	C74B(A,H)MX48C-C	47000	11.7	14.3	1595	1195	Yes
FSA3BF4M2SN48K	C74B(A,H)MX48C-D	47000	11.7	14.3	1595	1195	No
FSA3BF4M2SN60K	C74B(A,H)MX60C-C	55000	11.7	14.3	1600	1200	Yes
FSA3BF4M2SN60K	C74B(A,H)MX60C-D	55000	11.7	14.3	1600	1200	No

Outdoor Unit	Indoor Unit + Furnace	Cooling Capacity	EER2	SEER2	Indoor Rated CFM	Min. CFM	DTC
FSA3BF4M2SN24K	C74B(A,H)MX24C-A + FG7T(*)-V(*)A(*)	23000	12.0	15.2	745	500	No
FSA3BF4M2SN24K	C74B(A,H)MX24C-B + FG7T(*)-V(*)B(*)	23000	12.0	15.2	800	535	No
FSA3BF4M2SN36K	C74B(A,H)MX36C-B + FG7T(*)-V(*)B(*)	35000	12.0	15.2	1120	750	No
FSA3BF4M2SN36K	C74B(A,H)MX36C-C + FG7T(*)-V(*)C(*)	35000	12.0	15.2	1155	775	No
FSA3BF4M2SN48K	C74B(A,H)MX48C-C + FG7T(*)-V(*)C(*)	47000	12.0	15.2	1505	1035	No
FSA3BF4M2SN48K	C74B(A,H)MX48C-D + FG7T(*)-V(*)D(*)	47000	12.0	15.2	1500	1005	No
FSA3BF4M2SN60K	C74B(A,H)MX60C-C + FG7T(*)-V(*)C(*)	56000	12.0	15.2	1600	1065	No
FSA3BF4M2SN60K	C74B(A,H)MX60C-D + FG7T(*)-V(*)D(*)	56000	12.0	15.2	1755	1175	No

Outdoor Unit	Indoor Unit	Cooling Capacity	EER2	SEER2	Indoor Rated CFM	Min. CFM	DTC
FSA3BF4M2SN24K	B64VMMX24K-A	23000	12.0	15.2	800	535	No
FSA3BF4M2SN24K	B64VMMX24K-B	23000	12.0	15.2	855	565	No
FSA3BF4M2SN36K	B64VMMX36K-B	35000	12.0	15.2	1200	800	No
FSA3BF4M2SN48K	B64VMMX48K-C	47000	12.0	15.2	1550	1050	No
FSA3BF4M2SN60K	B64VMMX60K-C	55500	12.0	15.2	1600	1090	No

DTC = Designated Tested Combination

Air handlers and coils used in tables are designed and manufactured by Nortek Global HVAC, LLC.

See current AHRI Directory for certified combinations and ratings.

www.ahridirectory.org

COOLING EXPANDED RATINGS WITH VARIABLE SPEED BLOWER

FSA3BF4M2SN24K + C74B(A,H)MX24C-A + G7T-A HIGH SPEED

CFM	O.D.T		65°F			75°F			85°F			95°F			105°F			115°F		
	E.D.B.	E.W.B.	T.C.	S.C.	K.W.	T.C.	S.C.	K.W.	T.C.	S.C.	K.W.	T.C.	S.C.	K.W.	T.C.	S.C.	K.W.	T.C.	S.C.	K.W.
750	80	62	25.3	21.5	1.42	24.1	21.1	1.53	23.0	20.5	1.68	21.9	20.1	1.84	20.6	19.5	2.02	18.9	18.5	2.21
	80	67	27.4	18.0	1.40	26.0	17.4	1.53	25.3	17.1	1.67	24.1	16.6	1.84	22.8	16.0	2.03	21.0	15.2	2.21
	80	72	29.5	14.4	1.40	28.1	13.9	1.52	27.3	13.6	1.67	26.2	13.2	1.83	24.8	12.6	2.02	22.7	11.8	2.21
	75	62	25.2	18.3	1.42	24.1	17.8	1.53	22.9	17.2	1.68	21.8	16.5	1.84	20.6	15.9	2.02	18.8	15.0	2.20
	75	67	27.3	14.8	1.40	26.2	14.3	1.53	25.2	13.8	1.67	24.0	13.3	1.84	22.6	12.7	2.02	20.9	12.0	2.21
800	80	62	25.5	22.0	1.43	24.3	21.6	1.55	23.2	21.3	1.69	22.1	20.8	1.86	20.8	20.1	2.04	19.2	19.2	2.23
	80	67	27.7	18.4	1.42	26.6	17.9	1.55	25.5	17.6	1.69	24.3	17.0	1.86	23.0	16.4	2.04	21.2	15.6	2.23
	80	72	29.8	14.7	1.41	28.5	14.3	1.54	27.6	13.9	1.69	26.4	13.4	1.85	25.0	12.8	2.04	22.9	12.0	2.23
	75	62	25.5	18.7	1.44	24.3	18.2	1.55	23.2	17.7	1.69	22.0	17.1	1.86	20.8	16.4	2.03	19.0	15.4	2.22
	75	67	27.6	15.0	1.42	26.5	14.5	1.55	25.4	14.1	1.69	24.2	13.6	1.86	22.8	13.0	2.04	21.0	12.2	2.23
860	80	62	25.8	22.7	1.46	24.6	22.4	1.57	23.5	22.0	1.72	22.3	21.4	1.88	21.0	20.6	2.06	19.5	19.5	2.25
	80	67	28.0	19.0	1.44	26.8	18.4	1.57	25.8	18.1	1.72	24.6	17.5	1.89	23.2	16.9	2.07	21.3	16.1	2.25
	80	72	30.1	15.1	1.44	28.7	14.5	1.56	27.8	14.1	1.71	26.7	13.6	1.88	25.2	13.1	2.06	23.1	12.3	2.25
	75	62	25.8	19.3	1.46	24.5	18.8	1.57	23.4	18.3	1.72	22.3	17.5	1.88	21.0	16.9	2.06	19.3	16.1	2.25
	75	67	28.0	15.3	1.44	26.8	14.9	1.57	25.7	14.4	1.72	24.4	13.9	1.88	23.0	13.2	2.07	21.2	12.4	2.25

FSA3BF4M2SN24K + C74B(A,H)MX24C-A + G7T-A LOW SPEED

CFM	O.D.T		65°F			75°F			85°F			95°F			105°F			115°F		
	E.D.B.	E.W.B.	T.C.	S.C.	K.W.	T.C.	S.C.	K.W.	T.C.	S.C.	K.W.	T.C.	S.C.	K.W.	T.C.	S.C.	K.W.	T.C.	S.C.	K.W.
500	80	62	18.7	15.5	0.93	17.7	15.0	1.03	16.8	14.5	1.15	16.0	14.1	1.30	15.0	13.7	1.46	13.8	13.2	1.62
	80	67	20.5	13.3	0.89	19.5	12.9	1.00	18.6	12.5	1.14	17.8	12.1	1.29	16.7	11.7	1.44	15.3	11.1	1.60
	80	72	22.2	10.9	0.86	21.2	10.5	0.98	20.2	10.1	1.11	19.4	9.8	1.26	18.3	9.4	1.42	16.9	8.8	1.59
	75	62	18.6	13.2	0.93	17.6	12.8	1.03	16.8	12.3	1.15	15.9	11.9	1.30	14.9	11.4	1.46	13.7	10.8	1.62
	75	67	20.4	11.0	0.89	19.4	10.6	1.01	18.5	10.2	1.14	17.7	9.8	1.29	16.6	9.4	1.45	15.2	8.8	1.61
535	80	62	18.9	15.9	0.96	17.9	15.4	1.06	17.0	14.9	1.19	16.1	14.5	1.34	15.1	14.2	1.49	13.8	13.5	1.66
	80	67	20.7	13.6	0.92	19.6	13.1	1.04	18.8	12.7	1.17	17.9	12.4	1.32	16.8	11.9	1.48	15.4	11.3	1.64
	80	72	22.4	11.0	0.90	21.4	10.6	1.02	20.3	10.2	1.15	19.5	9.9	1.30	18.4	9.5	1.45	17.0	8.9	1.62
	75	62	18.8	13.5	0.96	17.8	13.0	1.06	16.9	12.6	1.19	16.0	12.2	1.34	15.0	11.7	1.49	13.8	11.2	1.66
	75	67	20.6	11.2	0.92	19.6	10.7	1.04	18.7	10.3	1.17	17.8	9.9	1.32	16.7	9.5	1.48	15.2	8.9	1.64
575	80	62	19.0	16.3	1.01	18.0	15.8	1.11	17.1	15.3	1.24	16.2	15.0	1.38	15.2	14.6	1.54	13.9	13.9	1.70
	80	67	20.8	13.9	0.97	19.8	13.4	1.09	18.9	13.0	1.22	18.0	12.6	1.37	16.9	12.2	1.53	15.4	11.5	1.69
	80	72	22.5	11.1	0.95	21.5	10.7	1.06	20.4	10.3	1.19	19.6	10.0	1.34	18.5	9.5	1.50	17.0	9.0	1.67
	75	62	19.0	13.8	1.01	17.9	13.2	1.11	17.0	12.9	1.24	16.1	12.4	1.38	15.1	11.9	1.54	13.8	11.3	1.71
	75	67	20.7	11.3	0.97	19.7	10.8	1.09	18.8	10.4	1.22	17.9	10.0	1.37	16.8	9.6	1.53	15.3	8.9	1.69

FSA3BF4M2SN36K + C74B(A,H)MX36C-B + G7T-B HIGH SPEED

CFM	O.D.T		65°F			75°F			85°F			95°F			105°F			115°F		
	E.D.B.	E.W.B.	T.C.	S.C.	K.W.	T.C.	S.C.	K.W.	T.C.	S.C.	K.W.	T.C.	S.C.	K.W.	T.C.	S.C.	K.W.	T.C.	S.C.	K.W.
1000	80	62	38.4	32.5	2.22	36.5	31.6	2.42	34.6	30.7	2.64	32.6	29.8	2.91	30.5	28.8	3.24	28.3	27.6	3.62
	80	67	42.1	27.1	2.23	40.1	26.4	2.42	37.9	24.9	2.63	36.0	24.7	2.87	33.9	23.6	3.16	31.5	22.7	3.52
	80	72	46.1	22.3	2.24	44.0	21.5	2.43	41.8	20.6	2.63	39.6	19.6	2.86	37.3	18.8	3.13	34.9	17.8	3.45
	75	62	38.3	27.6	2.22	36.4	26.6	2.42	34.6	25.7	2.64	32.6	24.8	2.91	30.5	23.8	3.24	28.4	22.5	3.64
	75	67	41.8	22.4	2.23	39.9	21.5	2.42	37.9	20.6	2.63	35.9	19.7	2.87	34.0	18.9	3.16	31.5	17.8	3.51
1050	80	62	38.9	33.3	2.23	37.0	32.5	2.42	35.0	31.6	2.65	32.9	30.6	2.92	30.8	29.5	3.24	28.7	28.2	3.62
	80	67	42.5	27.7	2.24	40.4	27.1	2.43	38.4	26.1	2.63	36.3	25.3	2.88	34.1	24.2	3.17	31.8	23.3	3.52
	80	72	46.6	22.7	2.25	44.3	21.8	2.44	42.1	20.9	2.64	39.9	20.0	2.87	37.6	19.2	3.14	35.2	18.2	3.45
	75	62	38.7	28.1	2.23	36.9	27.2	2.42	34.9	26.3	2.65	32.9	25.4	2.92	30.9	24.4	3.24	28.7	22.8	3.64
	75	67	42.3	22.8	2.24	40.3	21.9	2.43	38.3	21.0	2.63	36.2	20.1	2.88	34.3	19.3	3.16	31.8	18.2	3.51
1120	80	62	39.4	34.5	2.24	37.4	33.6	2.43	35.4	32.7	2.65	33.4	31.7	2.92	31.2	30.5	3.24	29.2	28.9	3.63
	80	67	43.1	28.5	2.24	40.9	27.9	2.43	38.9	27.0	2.64	36.8	26.1	2.88	34.6	25.0	3.17	32.2	24.2	3.52
	80	72	47.2	23.2	2.26	45.1	22.4	2.44	42.6	21.4	2.65	40.4	20.6	2.88	37.8	19.5	3.14	35.5	18.7	3.46
	75	62	39.3	29.0	2.24	37.3	28.1	2.43	35.3	27.2	2.65	33.4	26.2	2.92	31.2	25.2	3.25	29.0	23.6	3.64
	75	67	42.8	23.3	2.24	40.8	22.4	2.43	38.6	21.3	2.64	36.7	20.6	2.88	34.5	19.7	3.17	32.2	18.7	3.52

FSA3BF4M2SN36K + C74B(A,H)MX36C-B + G7T-B LOW SPEED

CFM	O.D.T		65°F			75°F			85°F			95°F			105°F			115°F		
	E.D.B.	E.W.B.	T.C.	S.C.	K.W.	T.C.	S.C.	K.W.	T.C.	S.C.	K.W.	T.C.	S.C.	K.W.	T.C.	S.C.	K.W.	T.C.	S.C.	K.W.
670	80	62	27.2	22.8	1.30	25.8	22.1	1.48	24.4	21.3	1.71	22.9	20.2	1.99	21.3	19.9	2.30	19.4	18.9	2.66
	80	67	29.7	19.4	1.27	28.2	18.7	1.44	26.9	18.1	1.64	25.4	17.3	1.87	23.7	16.7	2.16	21.8	15.9	2.49
	80	72	32.8	16.1	1.24	31.0	15.4	1.41	29.4	14.7	1.61	27.9	14.1	1.82	26.2	13.4	2.08	24.3	12.8	2.36
	75	62	27.2	19.3	1.30	25.7	18.6	1.48	24.3	18.0	1.71	22.8	17.2	1.99	21.2	16.6	2.31	19.2	15.7	2.66
	75	67	29.6	16.0	1.27	28.1	15.3	1.44	26.7	14.8	1.64	25.3	14.1	1.87	23.6	13.4	2.16	21.7	12.5	2.50
705	80	62	27.5	23.4	1.30	26.1	22.6	1.49	24.7	22.0	1.72	23.2	21.3	1.99	21.5	20.4	2.31	19.6	19.4	2.66
	80	67	30.1	19.8	1.28	28.6	19.1	1.45	27.1	18.5	1.64	25.6	17.8	1.88	24.0	17.1	2.17	22.1	16.4	2.50
	80	72	33.1	16.3	1.25	31.4	15.7	1.42	29.7	14.9	1.62	28.1	14.3	1.83	26.4	13.7				

COOLING EXPANDED RATINGS WITH VARIABLE SPEED BLOWER (CONT.)

FSA3BF4M2SN48K + C74B(A,H)MX48C-C + G7T-C HIGH SPEED

O.D.T			65°F			75°F			85°F			95°F			105°F			115°F		
CFM	E.D.B.	E.W.B.	T.C.	S.C.	K.W.	T.C.	S.C.	K.W.	T.C.	S.C.	K.W.	T.C.	S.C.	K.W.	T.C.	S.C.	K.W.	T.C.	S.C.	K.W.
1415	80	62	49.3	42.0	2.97	47.7	41.4	3.23	45.5	40.1	3.53	43.2	39.1	3.87	40.7	38.0	4.26	38.2	36.7	4.73
	80	67	53.7	35.1	2.99	51.9	34.4	3.25	49.5	33.2	3.55	47.0	32.0	3.89	44.3	30.9	4.28	41.8	29.9	4.73
	80	72	58.8	28.4	3.02	56.2	27.4	3.28	54.0	26.5	3.58	51.2	25.5	3.92	48.4	24.4	4.30	45.3	23.1	4.75
	75	62	49.1	35.2	2.97	47.5	34.5	3.23	45.5	33.8	3.53	43.1	32.7	3.87	40.5	31.3	4.26	38.0	30.0	4.73
	75	67	53.5	28.6	2.99	51.7	27.8	3.25	49.4	26.9	3.55	46.9	25.7	3.88	44.2	24.6	4.28	41.6	23.5	4.73
1480	80	62	49.8	43.2	2.95	48.1	42.5	3.22	46.0	40.6	3.52	43.6	40.3	3.85	41.1	39.0	4.25	38.5	37.6	4.71
	80	67	54.3	35.9	2.98	52.4	35.1	3.24	50.0	33.9	3.54	47.4	32.7	3.87	44.7	31.6	4.26	42.2	30.7	4.72
	80	72	59.4	28.9	3.01	56.8	27.9	3.27	54.5	27.0	3.56	51.7	26.0	3.90	48.8	24.8	4.29	45.9	23.7	4.74
	75	62	49.6	36.0	2.95	48.0	35.5	3.22	45.9	34.6	3.51	43.5	33.4	3.85	40.9	32.1	4.25	38.4	30.7	4.72
	75	67	54.0	29.1	2.97	52.1	28.3	3.24	49.9	27.3	3.53	47.3	26.2	3.87	44.6	25.1	4.26	41.9	24.0	4.72
1505	80	62	50.0	43.4	2.95	48.3	42.8	3.21	46.2	41.4	3.51	43.7	40.7	3.85	41.2	39.4	4.24	38.7	37.8	4.71
	80	67	54.5	36.2	2.97	52.6	35.3	3.24	50.2	34.2	3.53	47.6	33.0	3.87	44.9	31.8	4.26	42.3	31.0	4.71
	80	72	59.6	29.1	3.00	57.0	28.1	3.26	54.7	27.2	3.56	51.8	26.1	3.90	48.9	25.0	4.29	45.8	23.8	4.74
	75	62	49.8	36.3	2.95	48.2	35.8	3.21	46.1	34.9	3.51	43.6	33.7	3.85	41.1	32.4	4.24	38.5	31.1	4.71
	75	67	54.2	29.3	2.97	52.3	28.5	3.23	50.1	27.5	3.53	47.5	26.4	3.87	44.7	25.3	4.26	41.6	23.8	4.71

FSA3BF4M2SN48K + C74B(A,H)MX48C-C + G7T-C LOW SPEED

O.D.T			65°F			75°F			85°F			95°F			105°F			115°F		
CFM	E.D.B.	E.W.B.	T.C.	S.C.	K.W.	T.C.	S.C.	K.W.	T.C.	S.C.	K.W.	T.C.	S.C.	K.W.	T.C.	S.C.	K.W.	T.C.	S.C.	K.W.
950	80	62	35.6	30.6	1.63	34.6	30.1	1.88	33.1	29.4	2.15	31.1	27.7	2.49	28.9	27.4	2.86	26.6	26.1	3.29
	80	67	38.9	25.2	1.61	37.5	24.6	1.85	36.3	24.6	2.12	34.3	23.8	2.42	32.2	22.8	2.77	29.7	21.8	3.19
	80	72	43.6	21.4	1.60	42.0	20.8	1.85	40.1	20.0	2.12	37.9	19.1	2.42	35.6	18.3	2.75	33.0	17.3	3.15
	75	62	35.5	25.9	1.63	34.5	25.4	1.88	33.0	24.7	2.15	31.1	23.8	2.49	28.8	22.7	2.86	26.4	21.6	3.29
	75	67	38.9	21.2	1.61	37.7	20.7	1.85	36.2	20.0	2.12	34.2	19.1	2.43	32.1	18.2	2.77	29.6	17.1	3.19
990	80	62	35.9	31.2	1.64	34.8	30.7	1.88	33.3	30.1	2.16	31.4	29.1	2.49	29.2	28.0	2.86	26.9	26.5	3.29
	80	67	39.4	26.3	1.61	38.1	25.8	1.86	36.5	25.0	2.13	34.6	24.2	2.43	32.4	23.3	2.78	30.0	22.3	3.20
	80	72	43.9	21.7	1.61	42.3	21.1	1.85	40.4	20.3	2.12	38.2	19.4	2.42	35.8	18.5	2.76	33.2	17.5	3.15
	75	62	35.8	26.4	1.64	34.7	25.9	1.89	33.3	25.2	2.16	31.4	24.3	2.49	29.0	23.2	2.87	26.6	22.1	3.30
	75	67	39.2	21.4	1.61	38.0	20.9	1.86	36.4	20.3	2.13	34.5	19.4	2.43	32.3	18.5	2.78	29.8	17.4	3.20
1010	80	62	36.1	31.5	1.64	35.0	31.1	1.89	33.5	30.4	2.17	31.5	29.4	2.50	29.3	28.3	2.87	26.9	27.0	3.30
	80	67	39.3	25.9	1.62	38.0	25.2	1.86	36.7	25.3	2.13	34.7	24.4	2.44	32.6	23.6	2.78	30.1	22.5	3.20
	80	72	44.1	21.8	1.61	42.5	21.2	1.86	40.5	20.4	2.13	38.3	19.6	2.43	35.9	18.7	2.77	33.4	17.6	3.16
	75	62	36.0	26.6	1.64	34.9	26.1	1.89	33.4	25.5	2.17	31.5	24.5	2.49	29.1	23.4	2.87	26.7	22.3	3.30
	75	67	39.4	21.6	1.62	38.2	21.1	1.86	36.6	20.4	2.13	34.4	19.3	2.44	32.4	18.6	2.78	29.9	17.5	3.20

FSA3BF4M2SN60K + C74B(A,H)MX60C-C + G7T-C HIGH SPEED

O.D.T			65°F			75°F			85°F			95°F			105°F			115°F		
CFM	E.D.B.	E.W.B.	T.C.	S.C.	K.W.	T.C.	S.C.	K.W.	T.C.	S.C.	K.W.	T.C.	S.C.	K.W.	T.C.	S.C.	K.W.	T.C.	S.C.	K.W.
1480	80	62	58.4	48.1	3.53	56.4	47.4	3.87	54.4	46.4	4.27	51.8	45.1	4.79	48.8	43.4	5.41	45.7	41.5	6.09
	80	67	63.7	40.6	3.56	61.3	39.5	3.89	59.1	38.6	4.27	56.4	37.5	4.71	53.5	36.2	5.24	50.4	34.6	5.90
	80	72	70.7	33.8	3.63	68.0	32.7	3.97	65.0	31.5	4.35	61.8	30.2	4.77	58.0	28.7	5.27	55.0	27.5	5.89
	75	62	58.2	41.0	3.52	56.4	40.2	3.87	54.3	39.2	4.27	51.8	37.9	4.80	48.7	36.4	5.41	45.6	34.7	6.09
	75	67	63.4	33.6	3.56	61.0	32.5	3.88	58.9	31.6	4.27	56.2	30.4	4.71	53.4	29.2	5.23	49.8	27.5	5.89
1545	80	62	59.0	49.3	3.51	57.2	48.3	3.85	54.9	47.6	4.25	52.3	46.1	4.78	49.4	44.7	5.38	46.2	42.8	6.07
	80	67	64.3	41.5	3.54	61.9	40.5	3.87	59.6	39.4	4.25	57.0	38.1	4.69	54.0	36.6	5.22	50.9	35.4	5.88
	80	72	71.4	34.4	3.61	68.7	33.3	3.95	65.7	32.1	4.33	62.4	30.7	4.75	59.0	29.4	5.26	55.5	28.0	5.87
	75	62	58.8	41.8	3.50	56.8	41.0	3.85	54.9	40.1	4.25	52.3	38.8	4.78	49.2	37.4	5.38	46.0	35.5	6.06
	75	67	64.1	34.2	3.54	61.6	33.1	3.87	59.5	32.2	4.25	56.8	31.0	4.69	53.9	29.7	5.22	50.3	28.1	5.87
1595	80	62	59.5	50.1	3.49	57.5	49.5	3.83	55.4	48.5	4.23	52.7	46.2	4.75	49.8	45.6	5.35	46.6	43.6	6.04
	80	67	64.8	42.1	3.52	62.4	41.1	3.85	60.0	39.9	4.24	57.4	39.0	4.67	54.4	37.5	5.20	51.2	36.1	5.86
	80	72	72.0	34.9	3.59	69.2	33.8	3.93	66.1	32.5	4.31	62.9	31.1	4.74	59.0	29.7	5.24	55.8	28.5	5.85
	75	62	59.3	42.3	3.49	57.4	41.8	3.83	55.3	40.8	4.23	52.7	39.6	4.75	49.6	38.0	5.36	46.4	36.1	6.04
	75	67	64.6	34.6	3.52	62.1	33.5	3.85	59.9	32.6	4.23	57.2	31.4	4.67	54.2	30.1	5.20	51.0	28.6	5.86

FSA3BF4M2SN60K + C74B(A,H)MX60C-C + G7T-C LOW SPEED

O.D.T			65°F			75°F			85°F			95°F			105°F			115°F		
CFM	E.D.B.	E.W.B.	T.C.	S.C.	K.W.	T.C.	S.C.	K.W.	T.C.	S.C.	K.W.	T.C.	S.C.	K.W.	T.C.	S.C.	K.W.	T.C.	S.C.	K.W.
990	80	62	42.0	34.9	1.99	40.2	34.1	2.28	38.5	33.2	2.61	36.4	32.2	2.98	34.2	31.2	3.40	31.8	30.1	3.87
	80	67	45.5	29.0	1.97	43.6	28.0	2.26	42.0	27.9	2.58	39.9	27.1	2.94	37.5	26.0	3.35	35.0	24.9	3.81
	80	72	50.3	24.5	1.95	48.2	23.7	2.24	45.9	22.8	2.56	43.6	21.9	2.92	41.0	20.8	3.32	38.3	19.8	3.77
	75	62	41.9	29.8	1.99	40.2	29.0	2.29	38.4	28.1	2.61	36.4	27.1	2.98	34.1	26.1	3.40	31.6	25.0	3.87
	75	67	45.7	24.6	1.97	43.8	23.8	2.26	41.9	22.9	2.58	39.8	22.0	2.94	37.4	21.1	3.35	34.8	19.8	3.81
1035	80	62	42.4	35.7	2.01	40.6	34.8	2.30	38.7	33.9	2.63	36.7	32.9	3.00	34.5	31.9	3.42	32.0	30.7	3.88
	80	67	46.3	30.2	1.98	44.4	29.3	2.28	42.3	28.5	2.60	40.1	27.6	2.96	37.4	25.4	3.37	35.1	25.3	3.82
	80	72	50.7	24.9	1.97	48.5	24.0	2.26	46.2	23.1	2.58	43.9	22.1	2.94	41.3					



GENERAL TERMS OF LIMITED WARRANTY

Nortek Global HVAC, LLC will furnish a replacement for any part of this product which fails in normal use and service within the terms and conditions of the warranty.

For complete details of the Limited Warranty, including applicable terms and conditions, see your local installer or contact the Nortek Global HVAC, LLC warranty department for a copy.

Before purchasing this appliance, read important energy cost and efficiency information available from your retailer. Specifications and illustrations subject to change without notice and without incurring obligations. Printed in U.S.A (09/2022)