



J4AC5018E1000AA

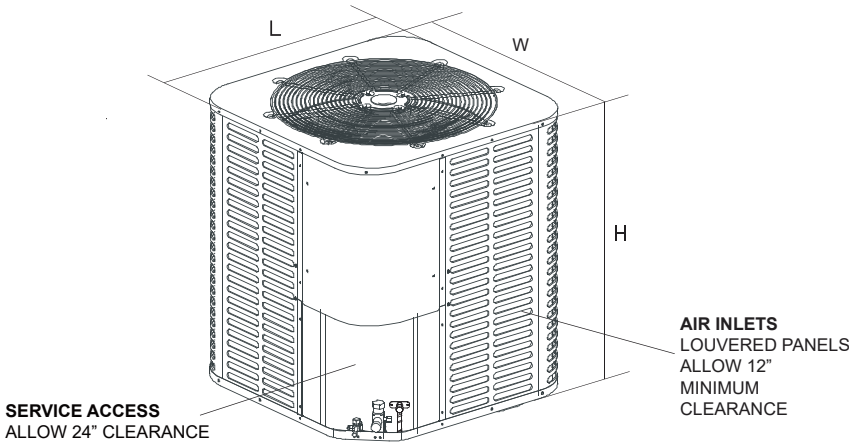
TAG: \_\_\_\_\_

**SUBMITTAL**

**1.5 Ton Split System  
Air Conditioner - 1 Phase  
J4AC5018E1000AA**

Product Specifications

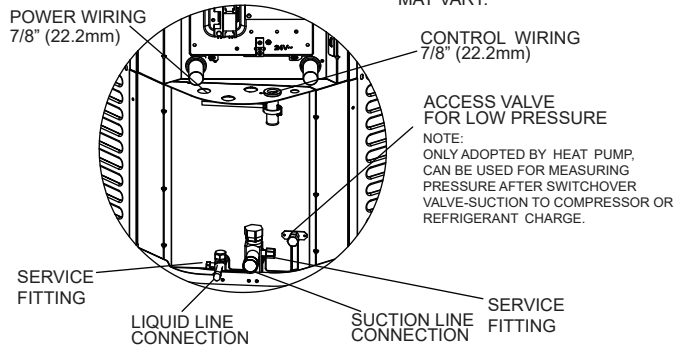
| OUTDOOR UNIT                      | J4AC5018E1000AA    |
|-----------------------------------|--------------------|
| POWER CONNS. — V/PH/HZ            | 208/230/1/60       |
| MIN. BRCH. CIR. AMPACITY          | 11.6               |
| BR. CIR. PROT. RTG. - MAX. (AMPS) | 15                 |
| COMPRESSOR                        | ROTARY             |
| NO. USED - NO. SPEEDS             | 1 - 1              |
| VOLTS/PH/HZ                       | 208/230/1/60       |
| R.L. AMPS - L.R. AMPS             | 8.0 - 35.0         |
| FACTORY INSTALLED                 |                    |
| START COMPONENTS                  | NO                 |
| INSULATION/SOUND BLANKET          | NO                 |
| COMPRESSOR HEAT                   | NO                 |
| OUTDOOR FAN/MOTOR                 | PROPELLER/ECM      |
| DIA. (IN.) - NO. USED             | 18-7/8 - 1         |
| TYPE DRIVE - NO. SPEEDS           | EXTERNAL - 10      |
| CFM @ 0.0 IN. W.G.                | 1900               |
| NO. MOTORS - HP                   | 1 - 1/6            |
| MOTOR SPEED R.P.M.                | 980                |
| VOLTS/PH/HZ                       | 208/230/1/60       |
| F.L. AMPS                         | 1.60               |
| OUTDOOR COIL — TYPE               | PLATE FIN          |
| ROWS - F.P.I.                     | 2 - 21             |
| FACE AREA (SQ. FT.)               | 1.0                |
| TUBE SIZE (IN.)                   | 3/16               |
| REFRIGERANT                       |                    |
| LBS. — R-410 (O.D. UNIT)          | 4 LBS. - 14 OZ.    |
| FACTORY SUPPLIED                  | YES                |
| LINE SIZE - IN. O.D. GAS          | 3/4                |
| LINE SIZE - IN. O.D. LIQ.         | 3/8                |
| CHARGING SPECIFICATION            |                    |
| SUPERHEAT                         | 9° F               |
| DIMENSIONS                        | W X H X D          |
| CRATED (IN.)                      | 24-7/10×30×24-7/10 |
| WEIGHT                            |                    |
| SHIPPING (LBS.)                   | 136                |
| NET (LBS.)                        | 117                |



SERVICE ACCESS  
ALLOW 24" CLEARANCE

AIR INLETS  
LOUVERED PANELS  
ALLOW 12"  
MINIMUM  
CLEARANCE

NOTE: GRILL APPEARANCE  
MAY VARY.



POWER WIRING  
7/8" (22.2mm)

CONTROL WIRING  
7/8" (22.2mm)

ACCESS VALVE  
FOR LOW PRESSURE

NOTE:  
ONLY ADOPTED BY HEAT PUMP.  
CAN BE USED FOR MEASURING  
PRESSURE AFTER SWITCHOVER  
VALVE-SUCTION TO COMPRESSOR OR  
REFRIGERANT CHARGE.

SERVICE  
FITTING

LIQUID LINE  
CONNECTION

SUCTION LINE  
CONNECTION

SERVICE  
FITTING

NOTE: All dimensions are in mm/inches.

| Model           | H              | W            | L            | LIQUID VALVE SIZE | GAS VALVE SIZE |
|-----------------|----------------|--------------|--------------|-------------------|----------------|
| J4AC5018E1000AA | 633 (24-15/16) | 600 (23-5/8) | 600 (23-5/8) | 3/8               | 3/4            |

# Mechanical Specification Options

---

## **General**

The J4AC50 is fully charged from the factory. This unit is designed to operate at outdoor ambient temperatures as high as 115°F. Cooling capacities are matched with air handlers and furnace coils that are AHRI certified. The unit is certified to ETL. Exterior is designed for outdoor application.

## **Casing**

Unit casing is constructed of heavy gauge, Galvanized steel and painted with a weather-resistant powder paint on all grilles, panels, pre-paint on all other panels. And had 500-hours salt spray tested.

## **Refrigerant Controls**

Refrigeration system controls include condenserfan, compressor contactor.

## **Compressor**

Features include low vibration and noise.

## **Condenser Coil**

The outdoor coil provides low airflow resistance and efficient heat transfer. The coil is protected on all four sides by grille panels.

## **Optional accessories**

### **Liquid line drier—**

It is used to filter out impurities and water in the system, ensures system clean and dry.



---

---

---

---

*OXBOX has a policy of continuous product and product data improvement and it reserves the right to change design and specifications without notice.*

**BX-PRQ-J4AC5018E1000A-1A**