

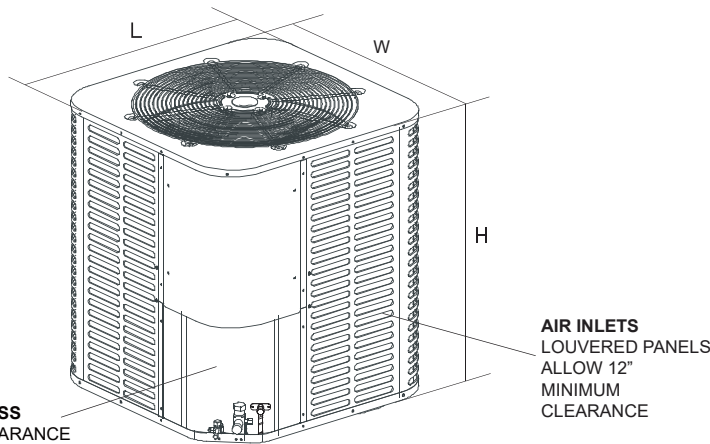
TAG: \_\_\_\_\_

# SUBMITTAL

## 2.5 Ton Split System Air Conditioner - 1 Phase J4AC5030E1000AA

### Product Specifications

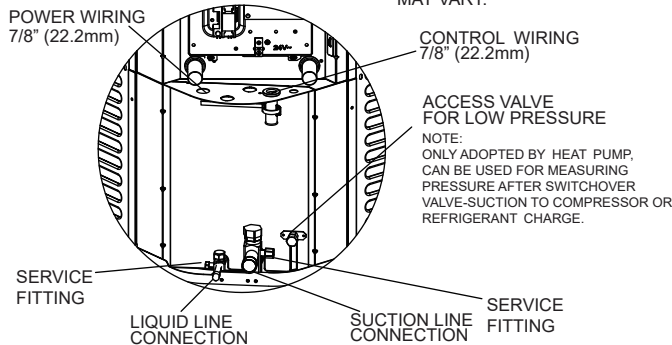
OUTDOOR UNIT	J4AC5030E1000AA
POWER CONNS. — V/PH/HZ	208/230/1/60
MIN. BRCH. CIR. AMPACITY	15.8
BR. CIR. PROT. RTG. - MAX. (AMPS)	25
COMPRESSOR	ROTARY
NO. USED - NO. SPEEDS	1 - 1
VOLTS/PH/HZ	208/230/1/60
R.L. AMPS - L.R. AMPS	11.4 - 58
FACTORY INSTALLED	
START COMPONENTS	NO
INSULATION/SOUND BLANKET	NO
COMPRESSOR HEAT	NO
OUTDOOR FAN/MOTOR	PROPELLER/ECM
DIA. (IN.) - NO. USED	23-1/16-1
TYPE DRIVE - NO. SPEEDS	EXTERNAL - 10
CFM @ 0.0 IN. W.G.	3000
NO. MOTORS - HP	1 - 1/6
MOTOR SPEED R.P.M.	850
VOLTS/PH/HZ	208/230/1/60
F.L. AMPS	1.6
OUTDOOR COIL — TYPE	PLATE FIN
ROWS - F.P.I.	2 - 21
FACE AREA (SQ. FT.)	17.4
TUBE SIZE (IN.)	3/16
REFRIGERANT	
LBS. — R-410 (O.D. UNIT)	7 LBS. - 5 OZ.
FACTORY SUPPLIED	YES
LINE SIZE - IN. O.D. GAS	3/4
LINE SIZE - IN. O.D. LIQ.	3/8
CHARGING SPECIFICATION	
SUPERHEAT	9° F
DIMENSIONS	W X H X D
CRATED (IN.)	29-1/10×38-1/5×29-1/10
WEIGHT	
SHIPPING (LBS.)	183
NET (LBS.)	156



**SERVICE ACCESS**  
ALLOW 24" CLEARANCE

**AIR INLETS**  
LOUVERED PANELS  
ALLOW 12"  
MINIMUM  
CLEARANCE

**NOTE:** GRILL APPEARANCE  
MAY VARY.



POWER WIRING  
7/8" (22.2mm)

CONTROL WIRING  
7/8" (22.2mm)

ACCESS VALVE  
FOR LOW PRESSURE

**NOTE:**  
ONLY ADOPTED BY HEAT PUMP.  
CAN BE USED FOR MEASURING  
PRESSURE AFTER SWITCHOVER  
VALVE-SUCTION TO COMPRESSOR OR  
REFRIGERANT CHARGE.

SERVICE  
FITTING

LIQUID LINE  
CONNECTION

SUCTION LINE  
CONNECTION

SERVICE  
FITTING

**NOTE:** All dimensions are in mm/inches.

Model	H	W	L	LIQUID VALVE SIZE	GAS VALVE SIZE
J4AC5030E1000AA	843(33-3/16)	710 (28)	710 (28)	3/8	3/4

# Mechanical Specification Options

---

## **General**

The J4AC50 is fully charged from the factory. This unit is designed to operate at outdoor ambient temperatures as high as 115°F. Cooling capacities are matched with air handlers and furnace coils that are AHRI certified. The unit is certified to ETL. Exterior is designed for outdoor application.

## **Casing**

Unit casing is constructed of heavy gauge, Galvanized steel and painted with a weather-resistant powder paint on all grilles, panels, pre-paint on all other panels. And had 500-hours salt spray tested.

## **Refrigerant Controls**

Refrigeration system controls include condenserfan, compressor contactor.

## **Compressor**

Features include low vibration and noise.

## **Condenser Coil**

The outdoor coil provides low airflow resistance and efficient heat transfer. The coil is protected on all four sides by grille panels.

## **Optional accessories**

### **Liquid line drier —**

It is used to filter out impurities and water in the system, ensures system clean and dry.



*OXBOX has a policy of continuous product and product data improvement and it reserves the right to change design and specifications without notice.*

**BX-PRQ-J4AC5030E1000A-1A**