

## J801X\* Series

### High Efficiency Upflow/Horizontal and Downflow Gas Furnaces

**Induced Draft - 80+% AFUE  
Input 45,000 - 126,000 BTUH**

The high efficiency gas furnace may be installed free standing in a utility room, basement, or enclosed in an alcove or closet. The rounded corner jacket provides a pleasing “appliance appearance.” Design certified by CSA for application in Canada and the United States.



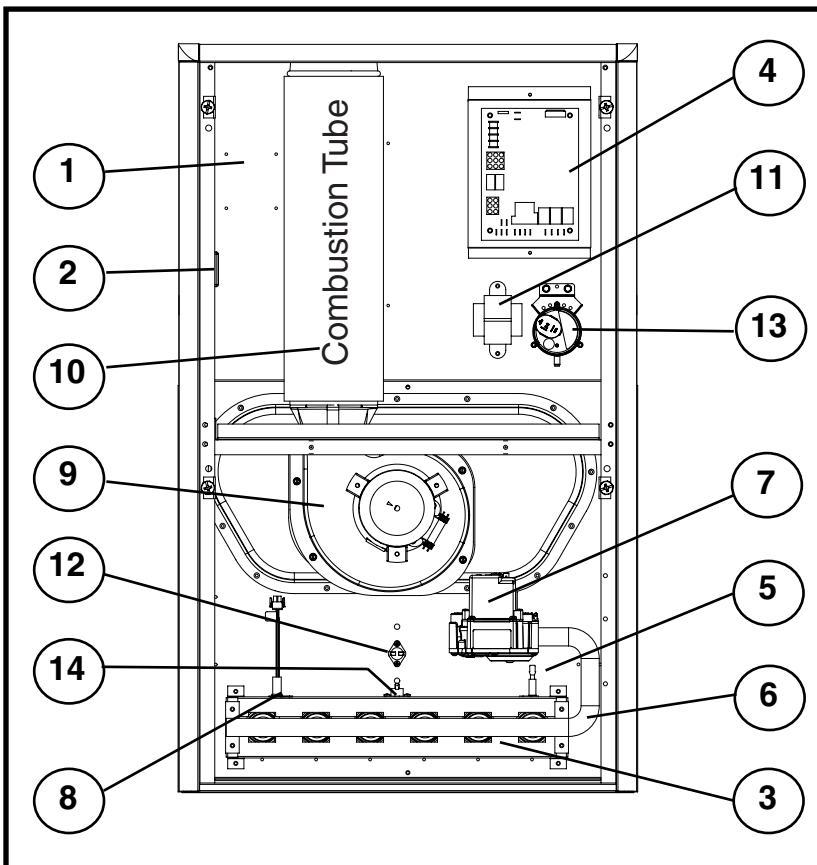
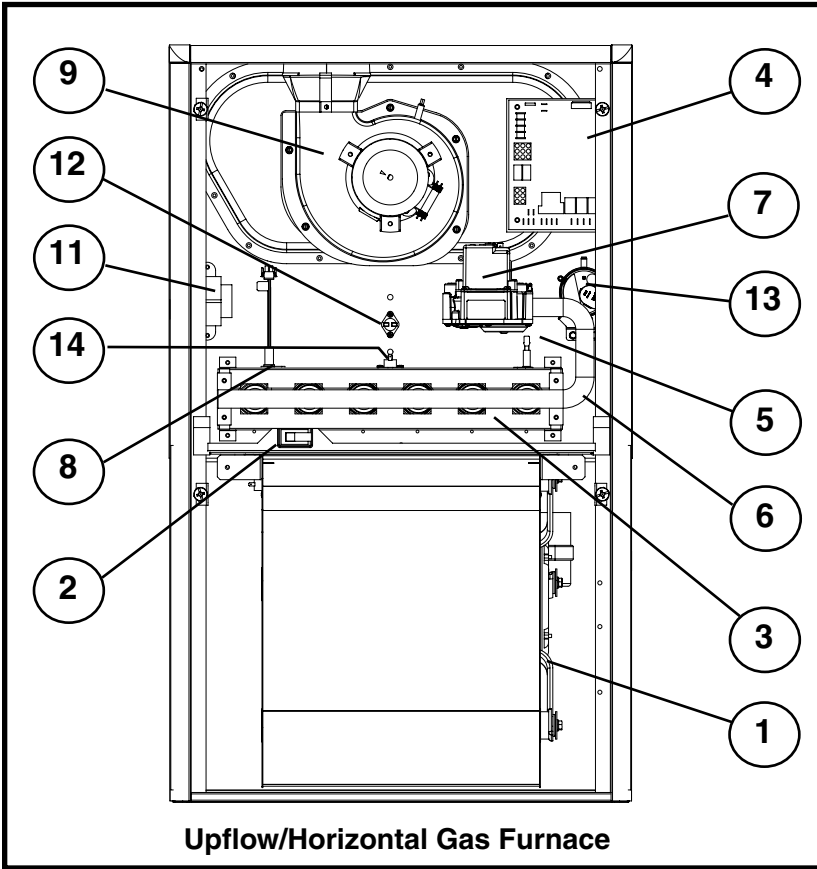
This furnace series is approved and certified by the SCAQM and the SJVAPC Districts in the state of California under each Districts' Mitigation Fee Plan for shipment into and sales in both districts.

For California installations in SCAQMD only: This furnace does not meet the SCAQMD Rule 1111 NO<sub>x</sub> emission limit (14 ng/J), and thus is subject to a mitigation fee of up to \$450. This furnace is not eligible for the Clean Air Furnace Rebate Program: [www.CleanAirFurnaceRebate.com](http://www.CleanAirFurnaceRebate.com).

### FEATURES and BENEFITS

- **100% fired and tested:** All units and each component are tested on the manufacturing line.
- **Low Boy Height:** Easy to apply in low ceiling applications, works well with taller high SEER coils, easier to handle and install.
- **Tubular primary heat exchanger:** Heavy gauge aluminized steel heat exchanger assures a long life.
- **30 second blower delay at start-up:** Assures a warm duct temperature at furnace start-up. Adjustable blower off settings (60, 90, 120 and 180 seconds).
- **30 second post purge:** Increases life of heat exchanger.
- **Hot surface igniter:** Innovative application of a silicon nitride igniter. Utilizes proven Smartlite® technology.
- **High static blowers:** All models equipped with high static blowers.
- **90 second cooling cycle blower-off delay (TDR):** Increases cooling performance.
- **Flexible category I venting system:** May be vented with dedicated venting system or common vented with other category one appliances.
- **High efficiency blower kits:** Maximize efficiencies. On select units, a SEER improvement of up to 1 point is realized.
- **Multi-speed direct drive blower:** Designed to give a wide range of cooling capacities. Switches on PCB, provide ultra easy motor speed selection.
- **LP convertible:** Simple burner orifice and regulator spring change for ease of convertibility.
- **Diagnostic lights for easy troubleshooting without counting flashes:** Dedicated light for flame signal strength and 2 lights in combination to indicate all other fault codes with easy to recognize states without counting flashes.
- **Integrated control board:** Incorporates connections for electronic air cleaner and humidifier.
- **Two piece door design:** Enhances furnace appearance and uses captured screws to prevent loose door screws.
- **Blower Compartment:** Insulated for ultra quiet operation.
- **Meets Title 24 Standards:** Min. 350 CFM/Ton, .58 watts/CFM and ≤ 2% cabinet leakage.
- **Meets SCAQMD and SJVAPCD rules 1111/4905:** For low NO<sub>x</sub> limit of 40ng/J.

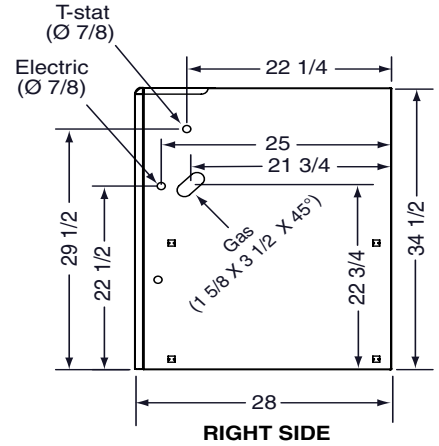
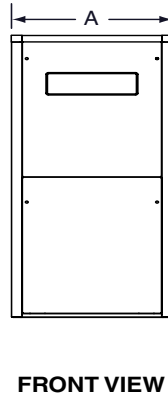
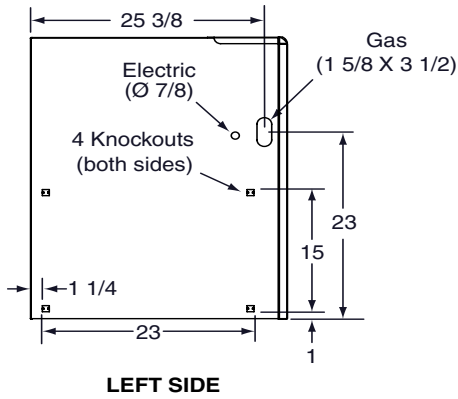
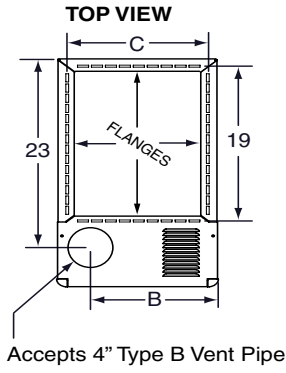
# GAS FURNACE COMPONENTS



- 1. Blower Assembly
- 2. Blower Door Switch
- 3. Burner Assembly
- 4. Control Board
- 5. Flame Sensor
- 6. Gas Manifold
- 7. Gas Valve
- 8. Igniter
- 9. Inducer
- 10. Insulated Combustion Tube (Downflow Models)
- 11. Low Voltage Transformer
- 12. Main Air Limit Switch
- 13. Pressure Switch
- 14. Roll-Out Switch(s)

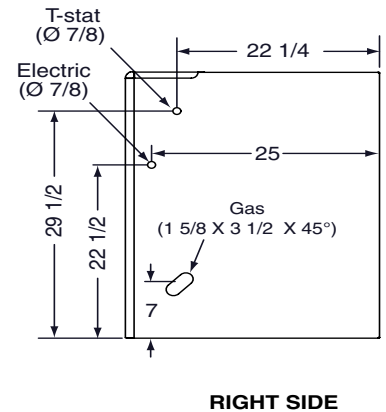
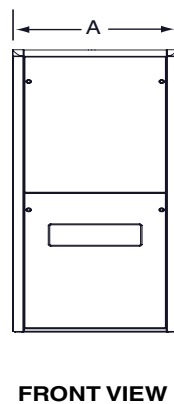
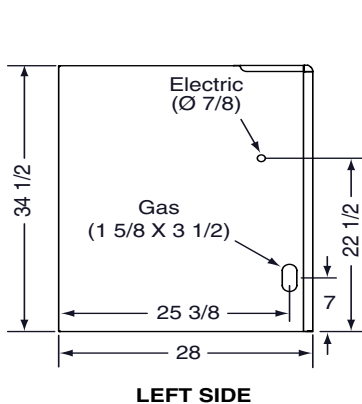
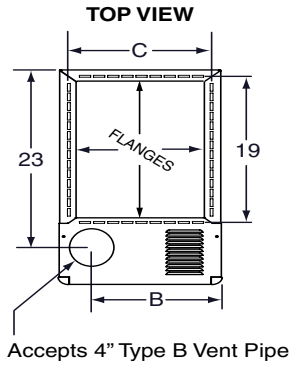
# DIMENSIONS

J801X*U Model #'s	Dimension "A"	Dimension "B"	Dimension "C"	Dimension "D"
045AU	14 1/4	10 3/4	12 5/8	12 7/8
054AU				
072BU	17 1/2	11 3/4	15 7/8	16 1/8
090BU				
072CU	21	14	19 3/8	19 7/8
090CU				
108CU				
126DU	24 1/2	15 1/4	22 7/8	23 1/8



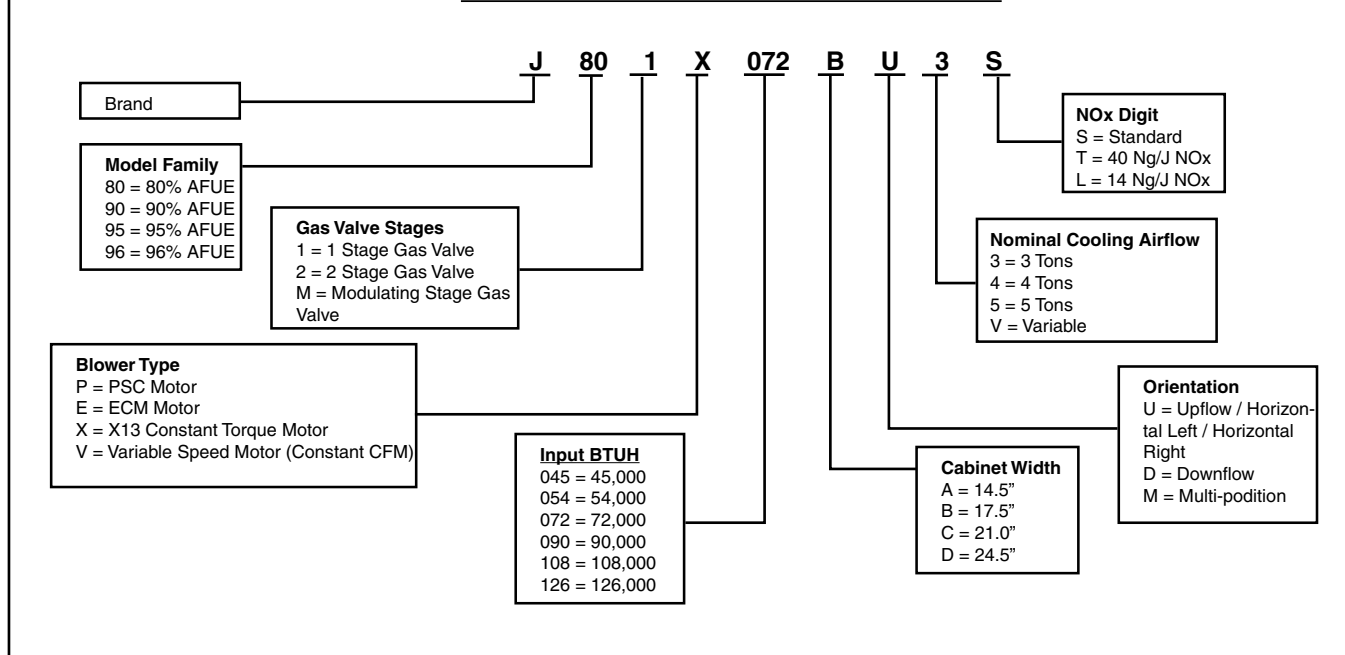
**J801X\*U Series Upflow/Horizontal Furnace**

J801X*D Model #'s	Dimension "A"	Dimension "B"	Dimension "C"	Dimension "D"
054AD	14 1/4	10 3/4	12 5/8	12 7/8
072BD				
090BD	17 1/2	11 3/4	15 7/8	16 1/8
108CD				
126DB	24 1/2	15 1/4	22 7/8	23 1/8



**J801X\*U Series Downflow Furnace**

## MODEL IDENTIFICATION CODE



## SPECIFICATIONS

<b>J801X*U MODEL NUMBERS</b>	045AU	054AU	072BU	090CU	108CU	126CU
Input - BTUH	45,000	54,000	72,000	90,000	108,000	126,000
Heating Capacity - BTUH	36,000	43,200	57,600	72,000	86,400	100,800
<b>AFUE</b>	80.0	80.0	80.0	80.0	80.0	80.0
Motor H.P. - Speed - Type	1/2 - 5 - ECM	1/2 - 5 - ECM	3/4 - 5 - ECM	3/4 - 5 - ECM	1 - 5 - ECM	1 - 5 - ECM
Motor FLA	6.4	6.4	8.8	8.8	11.5	11.5
Rated Ext. SP - In. W.C.	0.5	0.5	0.5	0.5	0.5	0.5
Temperature Rise Range - F	30-60	30-60	30-60	35-65	35-65	40-70
Shipping Weights (lbs)	95	95	110	134	136	147

<b>J801X*D MODEL NUMBERS</b>	054AU	072BD	090BD
Input - Btuh (a)	54,000	72,000	90,000
Heating Capacity - Btuh	43,000	58,000	72,000
<b>AFUE</b>	80.0	80.0	80.0
Motor H.P. - Speed - Type	1/2 - 5 - ECM	3/4 - 5 - ECM	3/4 - 5 - ECM
Motor FLA	6.4	8.8	8.8
Rated Ext. SP - In. W.C.	0.5	0.5	0.5
Temperature Rise Range - F	30-60	35-65	35-65
Shipping Weights (lbs)	102	110	115

# ACCESSORIES

J801X*U AND J801X*D KITS	
Description	SKU
"A" Cabinet downflow sub base kit	902974
"B", "C", "D" Cabinet downflow sub base kit	904911
U.S. LP Conversion kit (0 to 10,000 ft.)	904914
Bottom return filter 20 per box, "A" cabinet	903088
Bottom return filter 20 per box, "B" cabinet	904916
Bottom return filter 20 per box, "C" cabinet	904917
Bottom return filter 20 per box, "D" cabinet	904918
Side return filter kit	541036
Furnace Twinning Kit	1010035







Before purchasing this appliance, read important energy cost and efficiency information available from your retailer. Specifications and illustrations subject to change without notice and without incurring obligations. Printed in U.S.A (04/2020)