

DELRAY / FROM MINIMALIST TO INDULGENCE



# DELRAY

SQUARE

## MAKE A STATEMENT

DRSQ42NI  
DRSQ42NI-2  
DRSQ46NI  
DRSQ46NI-2

SINGLE SIDED  
DIRECT VENT

### DELRAY FULL LOAD SQUARE

#### Standard

- Concealed universal burner
- Multi-function remote
- Remote Hi-Lo flame
- Remote controlled fans
- Micro mesh safety screen
- Battery backup
- Halogen downlighting

#### Options

- Heat management
- Adjustable trim kits
- Traditional logsets
- Contemporary scenes
- Traditional and contemporary liners
- Propane conversion kit
- Speckled stones, glass media
- WiFi phone app control

### DELRAY BASIC SQUARE

#### Standard

- Concealed universal burner
- Manual Hi-Lo flame

#### Options

- Heat management
- Adjustable trim kits
- Remote control
- Fans
- Micro mesh safety screen
- Traditional and contemporary liners
- Propane conversion kit
- Battery backup
- Traditional logsets
- Contemporary scenes
- Speckled stones, glass media

### QUICK DIMENSIONS

	DRSQ42		DRSQ46	
	UNIT	FRAM.	UNIT	FRAM.
F.WIDTH	42	45	46	49
B.WIDTH	20 <sup>3</sup> / <sub>8</sub>	45	22 <sup>3</sup> / <sub>4</sub>	49
HEIGHT	43 <sup>3</sup> / <sub>8</sub>	51	47 <sup>3</sup> / <sub>8</sub>	55
DEPTH	19 <sup>1</sup> / <sub>2</sub>	22	21	22
VIEWING	37 <sup>1</sup> / <sub>16</sub> X 26 <sup>7</sup> / <sub>8</sub>		41 <sup>1</sup> / <sub>16</sub> X 30 <sup>7</sup> / <sub>8</sub>	

### BTU LISTING

DRSQ42NI / 32,500  
DRSQ42NI-2 / 32,500  
DRSQ42LI / 27,000  
DRSQ42LI-2 / 27,000

DRSQ46NI / 40,000  
DRSQ46NI-2 / 40,000  
DRSQ46LI / 34,000  
DRSQ46LI-2 / 34,000

### EFFICIENCY P.4. 1-15

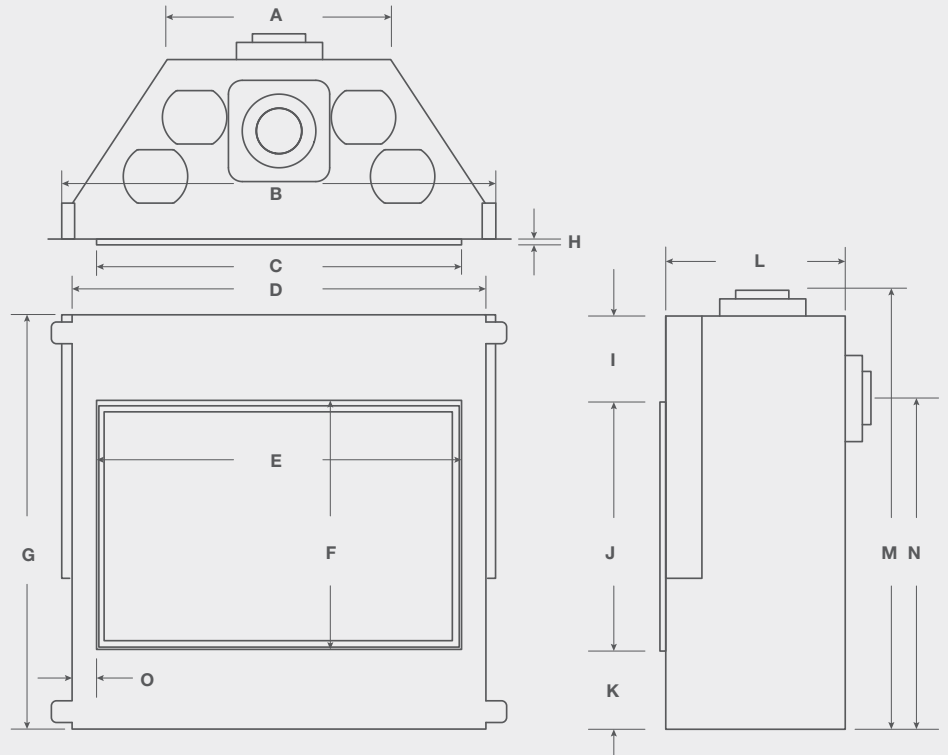
DRSQ42NI / 63.1%  
DRSQ42NI-2 / 63.1%  
DRSQ42LI / 63%  
DRSQ42LI-2 / 63%

DRSQ46NI / 64.1%  
DRSQ46NI-2 / 64.1%  
DRSQ46LI / 64.7%  
DRSQ46LI-2 / 64.7%

<sup>A</sup>Standard on DRSQ\*\*NI-2  
<sup>†</sup>Optional on DRSQ\*\*NI-2 only  
<sup>‡</sup>Full load units only

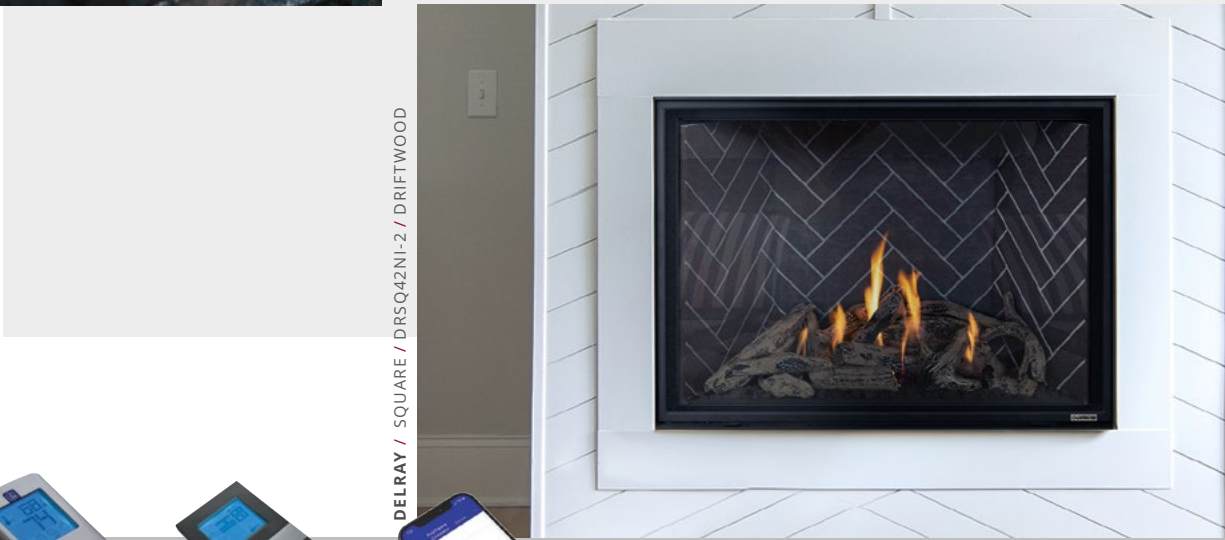


### DELRAY SQUARE DIMENSIONS



	A	B	C	D	E	F	G	H	I	J	K	L	M	N	O
DRSQ42	20 <sup>3</sup> / <sub>8</sub>	43 <sup>1</sup> / <sub>16</sub>	37 <sup>3</sup> / <sub>4</sub>	42	37 <sup>1</sup> / <sub>16</sub>	26 <sup>7</sup> / <sub>8</sub>	43 <sup>3</sup> / <sub>16</sub>	1/2	9	26 <sup>1</sup> / <sub>16</sub>	7 <sup>1</sup> / <sub>4</sub>	19 <sup>1</sup> / <sub>2</sub>	45	34 <sup>3</sup> / <sub>16</sub>	2 <sup>1</sup> / <sub>8</sub>
DRSQ46	22 <sup>3</sup> / <sub>4</sub>	47 <sup>1</sup> / <sub>16</sub>	41 <sup>3</sup> / <sub>4</sub>	46	41 <sup>1</sup> / <sub>16</sub>	30 <sup>7</sup> / <sub>8</sub>	47 <sup>3</sup> / <sub>16</sub>	1/2	8 <sup>1</sup> / <sub>16</sub>	30 <sup>1</sup> / <sub>16</sub>	7 <sup>1</sup> / <sub>4</sub>	21	49 <sup>1</sup> / <sub>16</sub>	38 <sup>1</sup> / <sub>2</sub>	2 <sup>1</sup> / <sub>8</sub>

DELRAY / SQUARE / DRSQ46NI-2 / SPLIT OAK



DELRAY / SQUARE / DRSQ42NI-2 / DRIFTWOOD

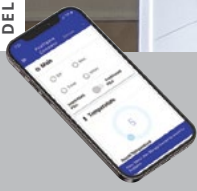
OPTIONS & FEATURES



REMOTE<sup>A</sup>  
RX200\*\*



WALL REMOTE<sup>†</sup>  
EC1550



WIFI PHONE APP CONTROL  
SIT-WIFI<sup>‡</sup>



DOWNLIGHTING<sup>A</sup>



TRADITIONAL LOGETS  
LGS\*\*



CONTEMPORARY SCENES  
CS\*



TRIM KIT  
DRSQT\*\*.\*

LINERS



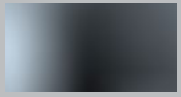
GREY HERRINGBONE  
DRSQBK\*\*GH



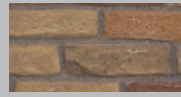
GREY LEDGESTONE  
DRSQBK\*\*GL



ASH FLUTED  
DRSQBK\*\*AF



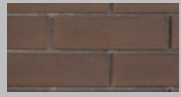
BLACK GLASS  
RBGDRSQ\*\*



VINTAGE BRICK  
DRSQBK\*\*VB



TAN BRICK  
DRSQBK\*\*TB



RED BRICK  
DRSQBK\*\*RB

# Unit Specifications

## ICON LEGEND

AVAILABLE	+	NOT AVAILABLE	-
DEDICATED	◊	STANDARD	◦

	BTU NATURAL GAS	BTU LIQUID PROPANE	NG EFFICIENCY	LP EFFICIENCY	VENTING	CLEARANCE TOP - TOP VENT	CLEARANCE REAR - TOP VENT	CLEARANCE SIDES	CLEARANCE BACK	CLEARANCE FLOOR	CLEARANCE MANTEL	FRONT VIEWING AREA	FRONT GLASS TYPE	STANDARD MEDIA	MICRO MESH SAFETY SCREEN	POWERVENT	REMOTE CONTROL	FANS	UPLIGHTING	DOWNLIGHTING
DRSQ34*1-2	18,000	16,000	65.7%	65.7%	4"7"	21	17	0	1½	0	9	29 <sup>1</sup> / <sub>16</sub> X 18%	HIGH TEMPERATURE	N/A	◦	+	◦	◦	-	◦
DRSQ34*1	15,500	14,000	67.1%	65.4%	4"7"	21	17	0	1½	0	9	29 <sup>1</sup> / <sub>16</sub> X 18%	HIGH TEMPERATURE	N/A	+	+	+	+	-	-
DRSQ38*1-2	24,000	19,500	65%	61.5%	5"8" <sup>Δ</sup>	21	17	0	1½	0	6	33 <sup>1</sup> / <sub>16</sub> X 22%	HIGH TEMPERATURE	N/A	◦	+	◦	◦	-	◦
DRSQ38*1	20,500	16,500	63.4%	61.8%	5"8" <sup>Δ</sup>	21	17	0	1½	0	6	33 <sup>1</sup> / <sub>16</sub> X 22%	HIGH TEMPERATURE	N/A	+	+	+	+	-	-
DRSQ42*1-2	32,500	27,000	63.1%	63%	5"8"	28	28	½	1½	0	10	37 <sup>1</sup> / <sub>16</sub> X 26%	HIGH TEMPERATURE	N/A	◦	+	◦	◦	-	◦
DRSQ42*1	32,500	27,000	63.1%	63%	5"8"	28	28	½	1½	0	10	37 <sup>1</sup> / <sub>16</sub> X 26%	HIGH TEMPERATURE	N/A	+	+	+	+	-	-
DRSQ46*1-2	40,000	34,000	64.1%	64.7%	5"8"	35	35	½	1	0	10	41 <sup>1</sup> / <sub>16</sub> X 30%	HIGH TEMPERATURE	N/A	◦	+	◦	◦	-	◦
DRSQ46*1	40,000	34,000	64.1%	64.7%	5"8"	35	35	½	1	0	10	41 <sup>1</sup> / <sub>16</sub> X 30%	HIGH TEMPERATURE	N/A	+	+	+	+	-	-

ΔCan be reduced to 4"7"

## DELRAY SQUARE FRAMING (MINIMUM DIMENSIONS)

	A*	B	C	D	E	F	G
DRSQ34	49	40½	18	36	52 <sup>1</sup> / <sub>16</sub>	37 <sup>1</sup> / <sub>16</sub>	1
DRSQ38	62½	44 <sup>7</sup> / <sub>16</sub>	18	40 <sup>3</sup> / <sub>16</sub>	59¼	41 <sup>7</sup> / <sub>8</sub>	2
DRSQ42	72	51	21	45	62 <sup>1</sup> / <sub>16</sub>	44½	1
DRSQ46	84	55	22	49	67 <sup>3</sup> / <sub>8</sub>	47 <sup>5</sup> / <sub>8</sub>	1

\* Some venting configurations that require more vertical rise will require a larger enclosure to provide minimum vertical clearance between vent pipes and combustibles

Header must be on edge to meet clearance to venting

