

4

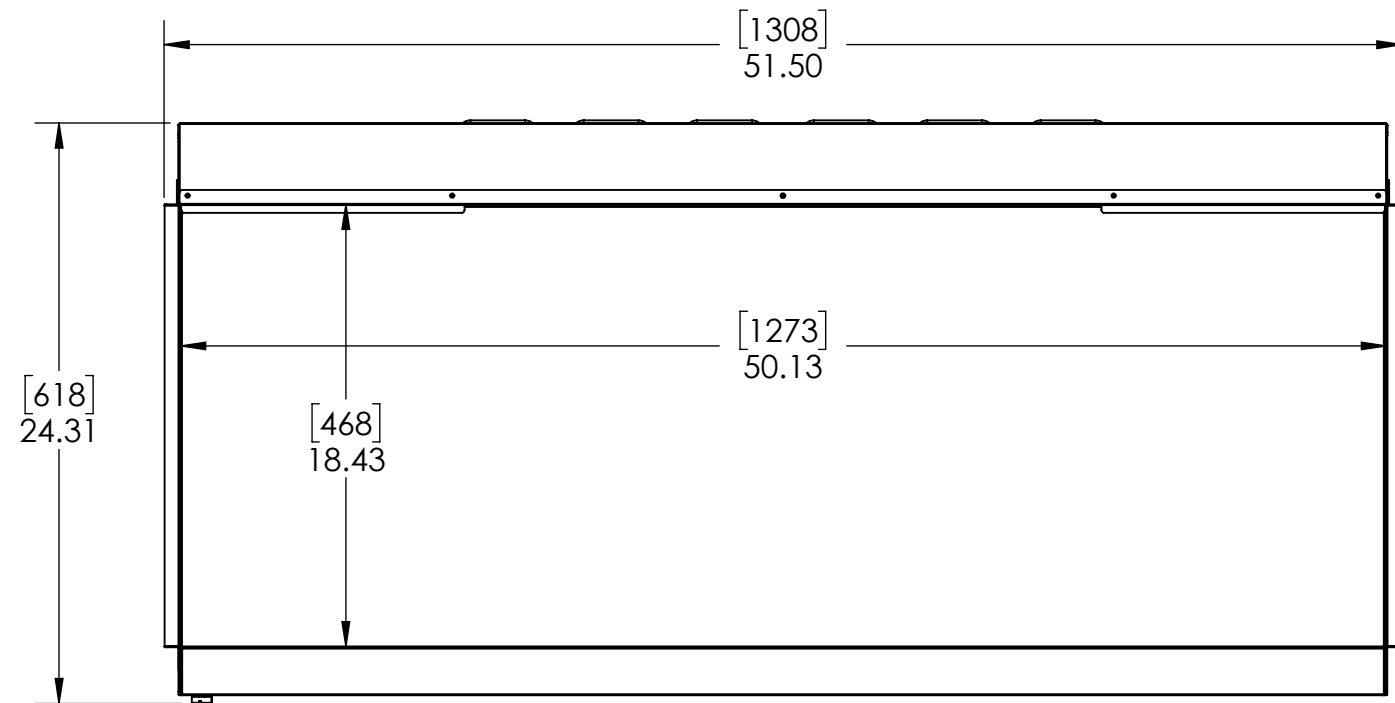
3

2

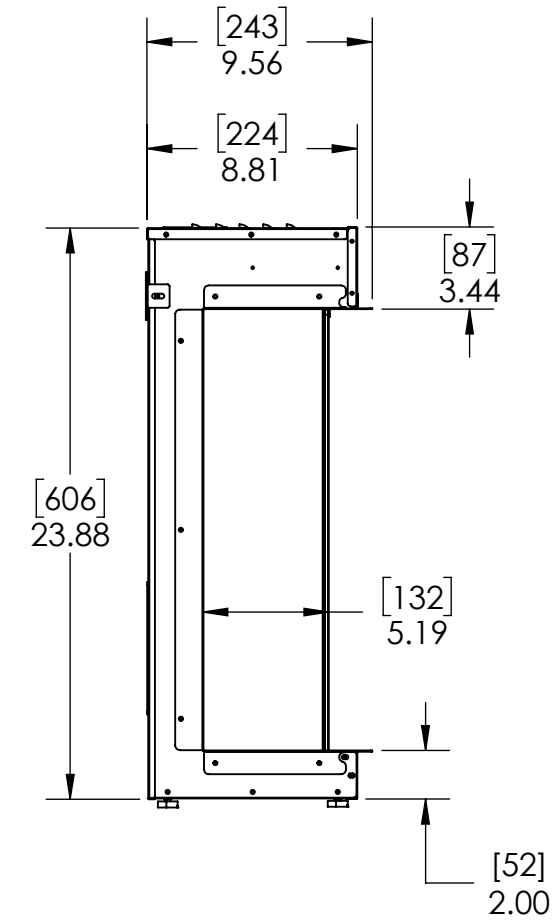
1

REVISIONS					
ZONE	REV.	DESCRIPTION	DRAWN	DATE	APPROVED

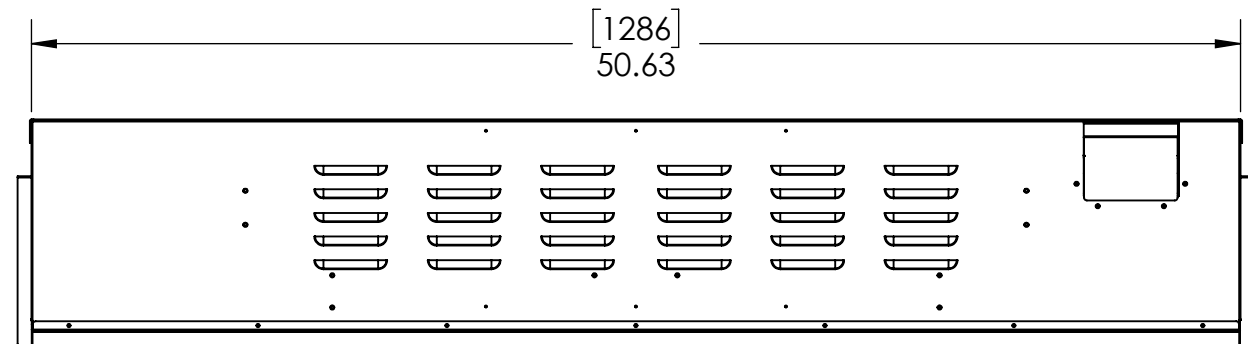
B



B



A



A

4

3

2

1

UNLESS OTHERWISE SPECIFIED:		NAME	DATE	<b>RPG BRANDS</b>		
DIMENSIONS ARE IN INCHES		DRAWN			TITLE: ORION MULTI 52"	
TOLERANCES:		CHECKED				
FRACTIONAL ±1/16"		ENG APPR.				
ANGULAR: MACH ±2° BEND ±2°		MFG APPR.				
ONE PLACE DECIMAL ±.1		Q.A.				
TWO PLACE DECIMAL ±.06		<b>PROPRIETARY AND CONFIDENTIAL</b> THE INFORMATION CONTAINED IN THIS DRAWING IS THE SOLE PROPERTY OF RICHARDSON PRODUCTS GROUP (RPG BRANDS). ANY REPRODUCTION IN PART OR AS A WHOLE WITHOUT THE WRITTEN PERMISSION OF RICHARDSON PRODUCTS GROUP (RPG BRANDS) IS PROHIBITED.		SIZE	DWG. NO.	REV
THREE PLACE DECIMAL ±.030				<b>B</b>	OR52-MULTI	
INTERPRET GEOMETRIC TOLERANCING PER:				SCALE: 1:8	WEIGHT:	SHEET 1 OF 1
MATERIAL						
FINISH						
DO NOT SCALE DRAWING						